

LASER

PN

MAZAK

ENGLISH



## High Performance Laser Consumables

MAZAK®

CO2 & FIBER LASER

- NOZZLES
- OPTICS
- ACCESSORIES



Headquartered in Anoka, Minnesota, in a 300,000 sq. ft. (28,000m<sup>2</sup>) state-of-the-art facility.

## SEVEN DECADES OF EXCELLENCE

Founded in 1962, Mate is a world-class manufacturer of superior solutions for the metal cutting and metal forming industries. We manufacture workholding systems, CNC punch press tooling, and offer a complete line of press brake tooling and laser consumables. Mate products and services are available worldwide, fully supported by more than 80 dealers in every industrialized country.

## PERSONAL, RESPECTFUL RELATIONSHIPS

Mate does business with people, not companies. Our connection to you is personal. Mate's team of manufacturing and metalworking professionals knows what you go through. We know what it's like to compete for that next job, manage deadlines or even need a rescue. With Mate you have a partner that respects your knowledge and is dedicated to helping you succeed.

## YOUR GO-TO SOURCE

Serving our customers is at the core of who we are. In your plant or on the phone, we're up for whatever metalworking challenges you face. Your Mate representatives are experts who know from experience what happens on the shop floor and provide our legendary in-field support. They speak your language, fully capable of helping you improve processes and solve problems. Mate customer service is ready to assist with fast quotes, guiding your order on to our top-notch machinists and shipping pros.

## GET INSPIRED!

With our vast knowledge and broad product range we inspire innovative thinking. Our customer's projects can be seen around the world: from unique building façades thought to be impossible to make, to a new way to add strength to thin material. The possibilities are endless, so think big, bold and beyond.

## WE'VE GOT YOU COVERED

Dedicated to quality in every aspect of our business, Mate offers an extensive standard product line that can be delivered with same day or next day service. All Mate products are backed with our industry leading 100% customer satisfaction guarantee.



## MATE'S MISSION AND PROMISE TO YOU:

Mate's mission is to personally **Respect, Support** and **Inspire** metalworking professionals around the world with high-quality products and services for factory productivity.

*[Dimensions in Inches (mm)]*



## PERFORMAX™

Performax™ CO2 Laser Lenses (MLL Series)

MATE PERFORMAX™ – the production lens for consistent CO2 laser performance

- Ideal for general laser cutting 4Kw and less
- Rated at less than 0.20% absorption, among the lowest standard lenses on the market
- Superior polishing for a smoother, easier to clean surface. Polished to a 20/10 scratch/dig specification to resist spatter and stay clean longer



## PEAK™

Low Absorption CO2 Laser Lenses (MLP Series)

The difference is clear: MATE PEAK™ low absorption, high performance CO2 laser lenses for demanding applications or high power cutting

- Less than 0.15% absorption offers improved cut quality, consistency and longer lens life
- Helium Neon (HeNe) laser beam compatible for better part alignment
- Proprietary clear coating offers superior lens stability, and allows for lens inspection and stress analysis
- Reduces optical distortion and focal length shift



## BLACKMAGIC™

Low Absorption CO2 Laser Lenses (MLB Series)

- Increased performance and versatility: Produce improved cuts on aluminum, stainless and other materials
- Coating: Black Magic lenses have the most durable coating in the industry and are spatter resistant
- Impervious to humidity: Work well regardless of humidity for assured efficiency
- Cost savings: Usually last twice as long or more as standard lenses



## 1 MICRON OPTICS

Fiber Laser Optics (MLF and MLW Series)

- Lower absorption for maximum cut quality and extended optic life
- Clear coating offers superior lens stability
- Consistent performance: Manufactured to exceptionally high tolerances for consistent performance and uniform cutting
- Approved by leading OEMs



## FLOWMASTER™

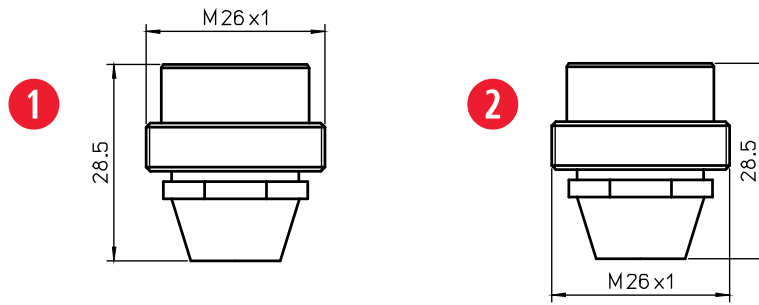
Nozzles and Nozzle Holders (MLN Series)

MATE FLOWMASTER™ nozzles are available in single and double style

- Highest quality copper alloy, stainless and hard stainless material
- Precision manufactured to tight tolerances of +/- 0-10 microns
- Micro-finished internal surfaces improve airflow
- Available for most OEM laser machine manufacturers
- Mate® carries over 2000 types of laser MLN nozzles and nozzle holders
- Manufactured to exacting standards to eliminate unnecessary variables and costly cutting problems for maximum productivity



[Dimensions in Inches (mm)]

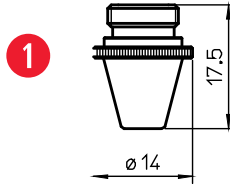


POS	MATE PART NUMBER	OEM CODE	ALTERNATE CODE	PART DESCRIPTION
1	MLN00163	46603350510	AL11	SINGLE - NOZZLE ADAPTER BODY
2	MLN00194		AL44	SINGLE - NOZZLE ADAPTER WITH INNER

[Dimensions in Inches (mm)]

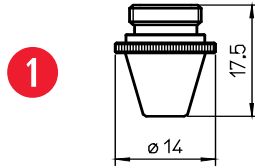






POS	MATE PART NUMBER	OEM CODE	ALTERNATE CODE	PART DESCRIPTION
1	MLN0017010	46603350508	L3078	SINGLE - 0.8MM NOZZLE (10PK)
	MLN00172	46603350511, 46603350521	L69	SINGLE - 1.0MM NOZZLE
	MLN00174	46603350512, 46603350521	L77	SINGLE - 1.2MM NOZZLE
	MLN00176	4660335052B, 46603350520	L127	SINGLE - 1.5MM NOZZLE
	MLN0017710	46603350517	L3079	SINGLE - 1.7MM NOZZLE (10PK)
	MLN00179	46603350517-1.8, 46603350521	L281	SINGLE - 1.8MM NOZZLE
	MLN00180	4660335052C, 46603350522	L80	SINGLE - 2.0MM NOZZLE
	MLN00181	46603350522, 46603350522-2.2	L282	SINGLE - 2.2MM NOZZLE
	MLN00183	46603350522, 46603350525	L124	SINGLE - 2.5MM NOZZLE
	MLN00185	46603350530, 46603301281	L150	SINGLE - 3.0MM NOZZLE
	MLN00698	46603350530-3.5, Q660335052F	L708	SINGLE - 3.5MM NOZZLE
	MLN00699	46603350530-4.0	L709	SINGLE - 4.0MM NOZZLE

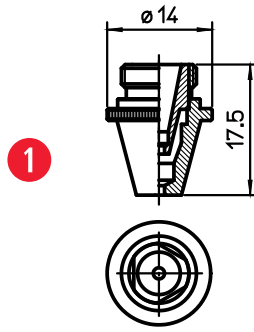
[Dimensions in Inches (mm)]



POS	MATE PART NUMBER	OEM CODE	ALTERNATE CODE	PART DESCRIPTION
	MLN00175	46603350512, 46603350521	L77X	SINGLE - 1.2MM NOZZLE CHROME
	MLN00474	4660335052B, 46603350520	L127X	SINGLE - 1.5MM NOZZLE CHROME
	MLN00475	46603350517-1.8, 46603350521	L281X	SINGLE - 1.8MM NOZZLE CHROME
	MLN00182	4660335052C, 46603350521	L80X	SINGLE - 2.0MM NOZZLE CHROME
	MLN00476	46603350522-2.2, 46603350521	L282X	SINGLE - 2.2MM NOZZLE CHROME
	MLN00184	46603350525	L124X	SINGLE - 2.5MM NOZZLE CHROME
	MLN00186	46603301281, 46603350530	L150X	SINGLE - 3.0MM NOZZLE CHROME

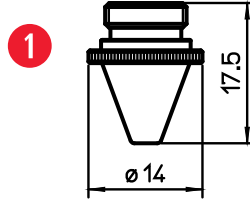
[Dimensions in Inches (mm)]





POS	MATE PART NUMBER	OEM CODE	ALTERNATE CODE	PART DESCRIPTION
1	MLN0159610		L30615	DOUBLE - 1.0MM NOZZLE (10PK)
	MLN01597		L616	DOUBLE - 1.2MM NOZZLE
	MLN01598		L617	DOUBLE - 1.5MM NOZZLE
	MLN0160010		L30619	DOUBLE - 1.8MM NOZZLE (10PK)
	MLN01601		L620	DOUBLE - 2.0MM NOZZLE
	MLN01603		L622	DOUBLE - 2.5MM NOZZLE
	MLN01604		L623	DOUBLE - 3.0MM NOZZLE
	MLN00709		L616X	DOUBLE - 1.2MM NOZZLE CHROME
	MLN00542	46683302380	L617X	DOUBLE - 1.5MM NOZZLE CHROME
	MLN0071010		L30618X	DOUBLE - 1.7MM NOZZLE CHROME (10PK)
	MLN00543	46683302390	L620X	DOUBLE - 2.0MM NOZZLE CHROME
	MLN0071210		L30621X	DOUBLE - 2.2MM NOZZLE CHROME (10PK)
	MLN00566	46683302400	L622X	DOUBLE - 2.5MM NOZZLE CHROME
	MLN00713	46683302410	L623X	DOUBLE - 3.0MM NOZZLE CHROME

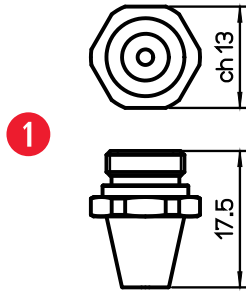
[Dimensions in Inches (mm)]



POS	MATE PART NUMBER	OEM CODE	ALTERNATE CODE	PART DESCRIPTION
1	MLN00165	46603350521	L250	SINGLE - 1.0MM NOZZLE
	MLN00166	46603350521	L251	SINGLE - 1.2MM NOZZLE
	MLN00167	PJGJT0482, 46603350520	L252	SINGLE - 1.5MM NOZZLE
	MLN00168	46603350521	L253	SINGLE - 1.7MM NOZZLE
	MLN00169	46603350522, 46683301721	L254	SINGLE - 2.0MM NOZZLE
	MLN00714	46603350522	L770	SINGLE - 2.5MM NOZZLE
	MLN00715	46683301281	L771	SINGLE - 3.0MM NOZZLE
	MLN0097310	46603350521	L30250X	SINGLE - 1.0MM CHROME NOZZLE (10PK)
	MLN0097410	46603350521	L30251X	SINGLE - 1.2MM CHROME NOZZLE (10PK)
	MLN00975	46603350520	L252X	SINGLE - 1.5MM CHROME NOZZLE
	MLN00977	46603350522	L254X	SINGLE - 2.0MM CHROME NOZZLE
	MLN00978	46603350522	L770X	SINGLE - 2.5MM CHROME NOZZLE
	MLN0097910	46683301281	L30771X	SINGLE - 3.0MM CHROME NOZZLE (10PK)

[Dimensions in Inches (mm)]

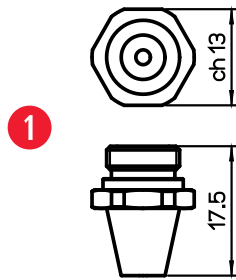




POS	MATE PART NUMBER	OEM CODE	ALTERNATE CODE	PART DESCRIPTION
1	MLN0071710	46603350511	L30726	SINGLE - 1.0MM HEXAGONAL NOZZLE (10PK)
	MLN00718	4660335052A	L727	SINGLE - 1.2MM HEXAGONAL NOZZLE
	MLN00719	4660335052B	L728	SINGLE - 1.5MM HEXAGONAL NOZZLE
	MLN0072010	46603350517	L30729	SINGLE - 1.7MM HEXAGONAL NOZZLE (10PK)
	MLN0072110	46603350517-1.8	L30730	SINGLE - 1.8MM HEXAGONAL NOZZLE (10PK)
	MLN00722	4660335052C	L731	SINGLE - 2.0MM HEXAGONAL NOZZLE
	MLN0072310	46603350522-2.2	L30732	SINGLE - 2.2MM HEXAGONAL NOZZLE (10PK)
	MLN00724	4660335052D	L733	SINGLE - 2.5MM HEXAGONAL NOZZLE
	MLN0072510	46603350530	L30734	SINGLE - 3.0MM HEXAGONAL NOZZLE (10PK)
	MLN0072710	46603350530-4.0	L736	SINGLE - 4.0MM HEXAGONAL NOZZLE (10PK)

[Dimensions in Inches (mm)]

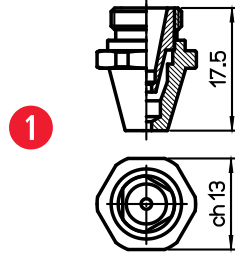




POS	MATE PART NUMBER	OEM CODE	ALTERNATE CODE	PART DESCRIPTION
1	MLN0102510	46603350511	L30726X	SINGLE - 1.0MM HEXAGONAL NOZZLE CHROME (10PK)
	MLN0102610	4660335052A, 46603350512	L30727X	SINGLE - 1.2MM HEXAGONAL NOZZLE CHROME (10PK)
	MLN01027	4660335052B, 46603350515	L728X	SINGLE - 1.5MM HEXAGONAL NOZZLE CHROME
	MLN0103010	4660335052C	L30731X	SINGLE - 2.0MM HEXAGONAL NOZZLE CHROME (10PK)
	MLN0103210	4660335052D, 46603350525	L30733X	SINGLE - 2.5MM HEXAGONAL NOZZLE CHROME (10PK)
	MLN0103310	46603350530	L30734X	SINGLE - 3.0MM HEXAGONAL NOZZLE CHROME (10PK)
	MLN0103510	46603350530-4.0	L30736X	SINGLE - 4.0MM HEXAGONAL NOZZLE CHROME (10PK)

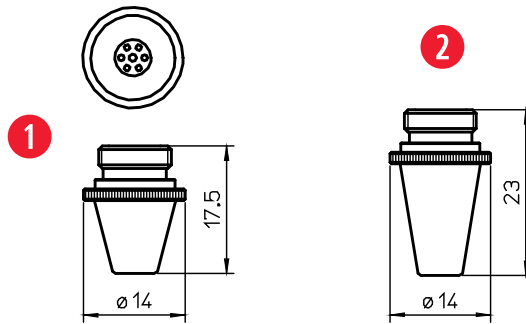
[Dimensions in Inches (mm)]





POS	MATE PART NUMBER	OEM CODE	ALTERNATE CODE	PART DESCRIPTION
1	MLN0160510	4660335052A	L301223	DOUBLE - 1.2MM HEXAGONAL NOZZLE (10PK)
	MLN01606	4660335052B	L1224	DOUBLE - 1.5MM HEXAGONAL NOZZLE
	MLN0160710	4660335052F	L301225	DOUBLE - 1.8MM HEXAGONAL NOZZLE (10PK)
	MLN0160810	4660335052C	L301226	DOUBLE - 2.0MM HEXAGONAL NOZZLE (10PK)
	MLN0160910	4660335052G	L301227	DOUBLE - 2.2MM HEXAGONAL NOZZLE (10PK)
	MLN0161010	4660335052D	L301228	DOUBLE - 2.5MM HEXAGONAL NOZZLE (10PK)
	MLN0161110	4660335052E	L301229	DOUBLE - 3.0MM HEXAGONAL NOZZLE (10PK)

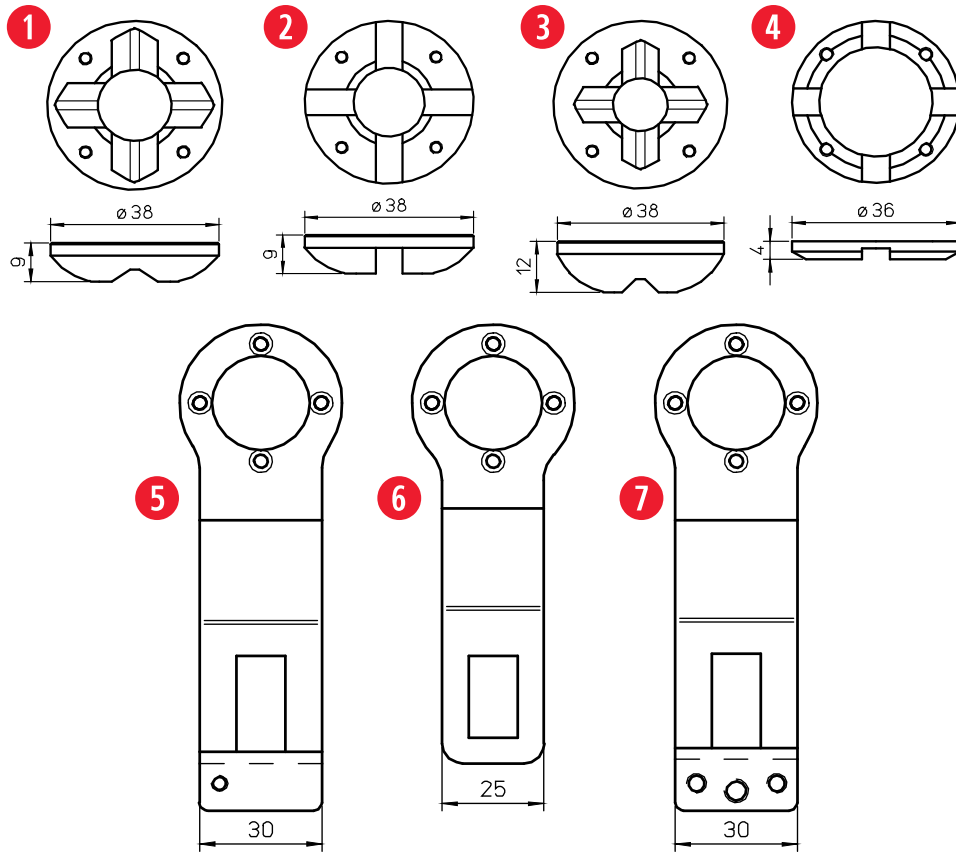
[Dimensions in Inches (mm)]



POS	MATE PART NUMBER	OEM CODE	ALTERNATE CODE	PART DESCRIPTION
1	MLN00477	46603350523	L492	SINGLE - 1.0MM SHOWER NOZZLE
	MLN00729	46603350523	L493	SINGLE - 1.5MM SHOWER NOZZLE
	MLN00980	46603350523	L497	SINGLE - 2.0MM SHOWER NOZZLE
2	MLN00191		L284	SINGLE - 2.0MM LONG NOZZLE

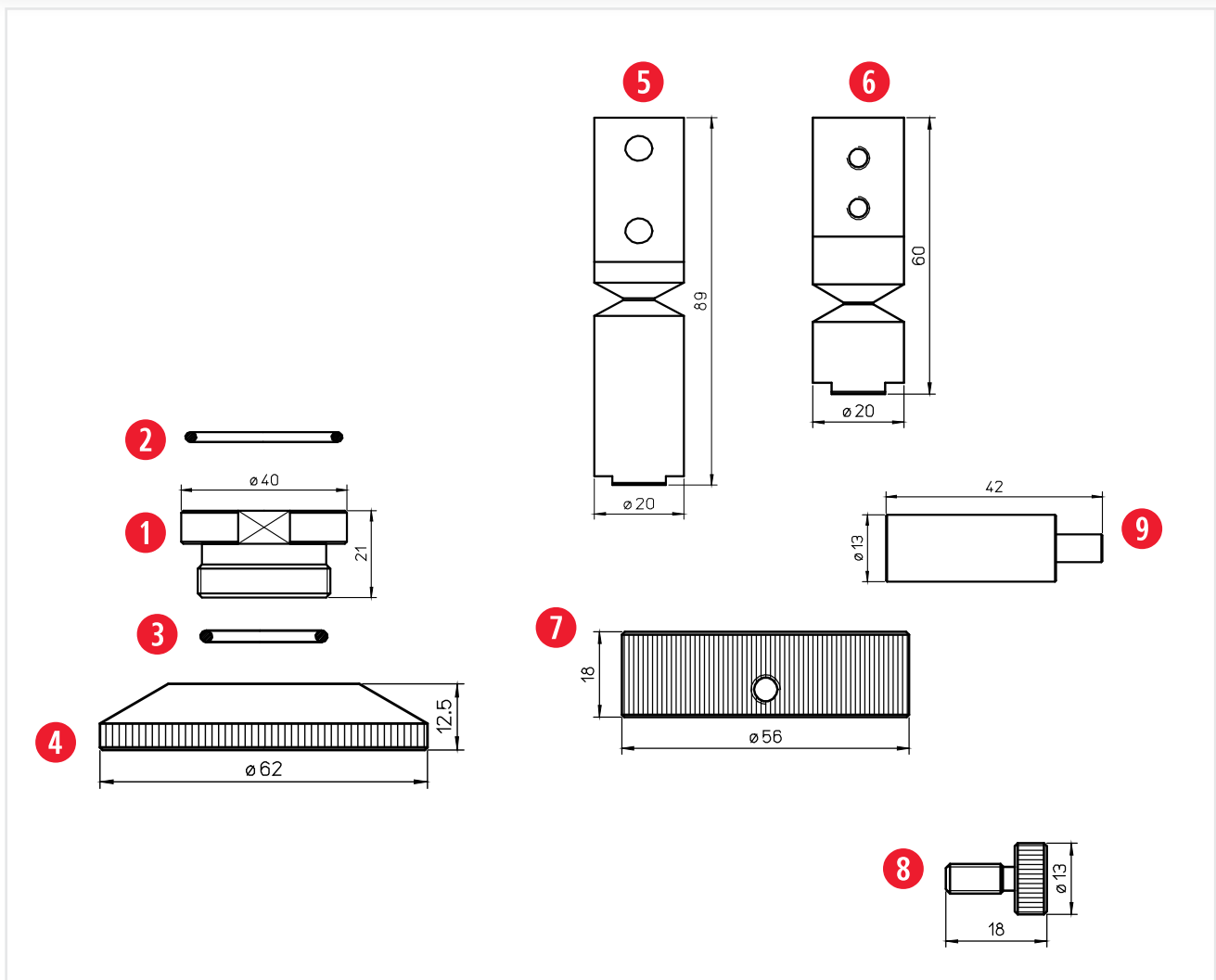
[Dimensions in Inches (mm)]





POS	MATE PART NUMBER	OEM CODE	ALTERNATE CODE	PART DESCRIPTION
1	MLN00198	46602350080	AL10	STYLUS FOOT H9 - BRASS
	MLN00199	46572301043	AL15	STYLUS FOOT H9 - STEEL
	MLN00200	46572301045	AL16	STYLUS FOOT H9 - PTFE
2	MLN00201	46612350270	AL132	STYLUS FOOT H9 - BRASS
3	MLN00203	46572301041	AL17	STYLUS FOOT H12 - BRASS
	MLN00204	46572301042	AL59	STYLUS FOOT H12 - STEEL
	MLN00205	46572301041	AL18	STYLUS FOOT H12 - PTFE
5	MLN00207	46512300520	AL117	STYLUS FOOT H4 - BRASS
6	MLN00209	36602300580	AL66	STYLUS ARM WITH SCREW M6
7	MLN00211	36602300560-36682300050	AL60	STYLUS ARM - STEEL
8	MLN00493	36682300281	AL167	STYLUS ARM - STEEL
(NOT PICTURED)	MLN01999		M2309-001	SCREWS FOR STYLUS

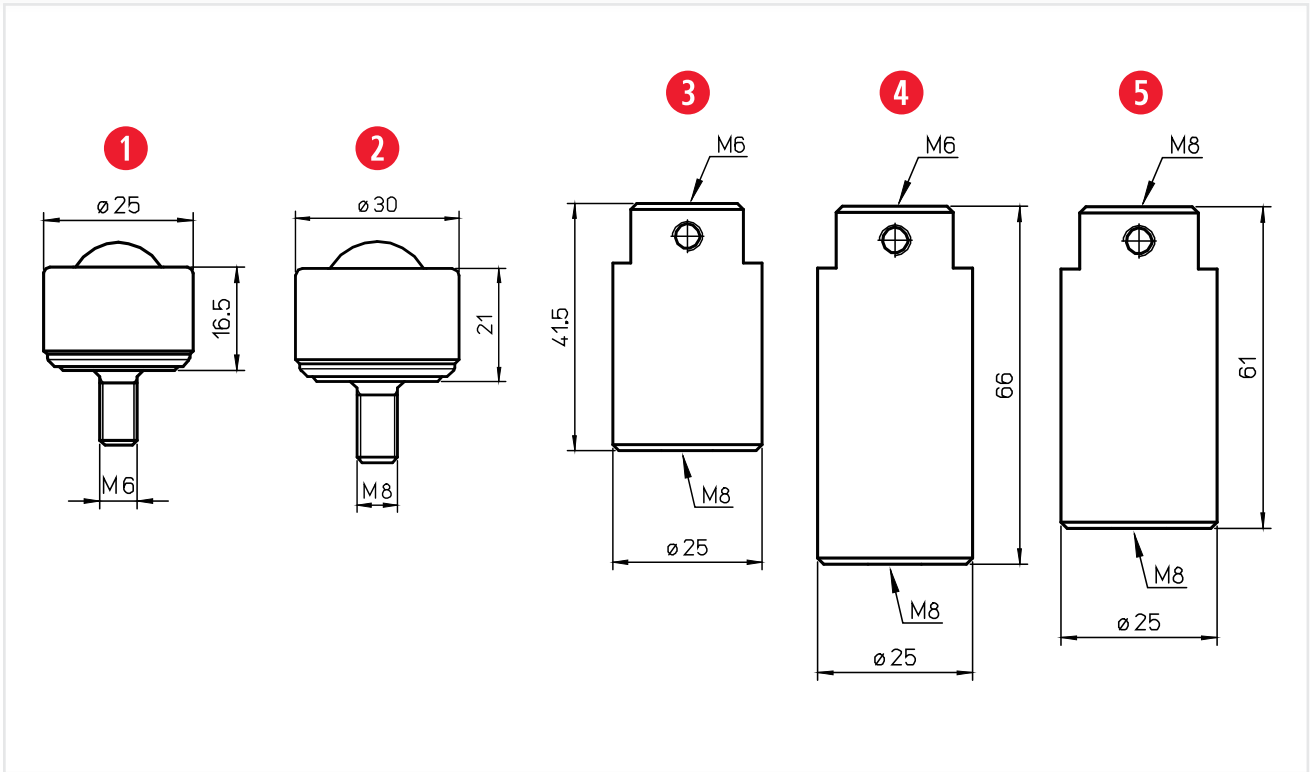
[Dimensions in Inches (mm)]



POS	MATE PART NUMBER	OEM CODE	ALTERNATE CODE	PART DESCRIPTION
1	MLN00220	46523300080	AL63	BASE
2	MLN00221	J2600S03200	AL97	O'RING EXTERNAL BASE -RUBBER
3	MLN00222	J2600S02200	AL98	O'RING INTERNAL BASE
4	MLN00223	46683300030	AL57	RETAINER
5	MLN00227	36602300230, 36602300550	AL12	BREAK-AWAY BAR L89 -M8
6	MLN00228	36682300280	AL14	ALUMINIUM BREAK-AWAY BAR L60 -M8
7	MLN00255	46683300930	AL153	RING
8	MLN00254	46683300032	AL152	STEEL BOLT M5 X 0.5
9	MLN00736	46522300242	AL186	STYLUS PIN

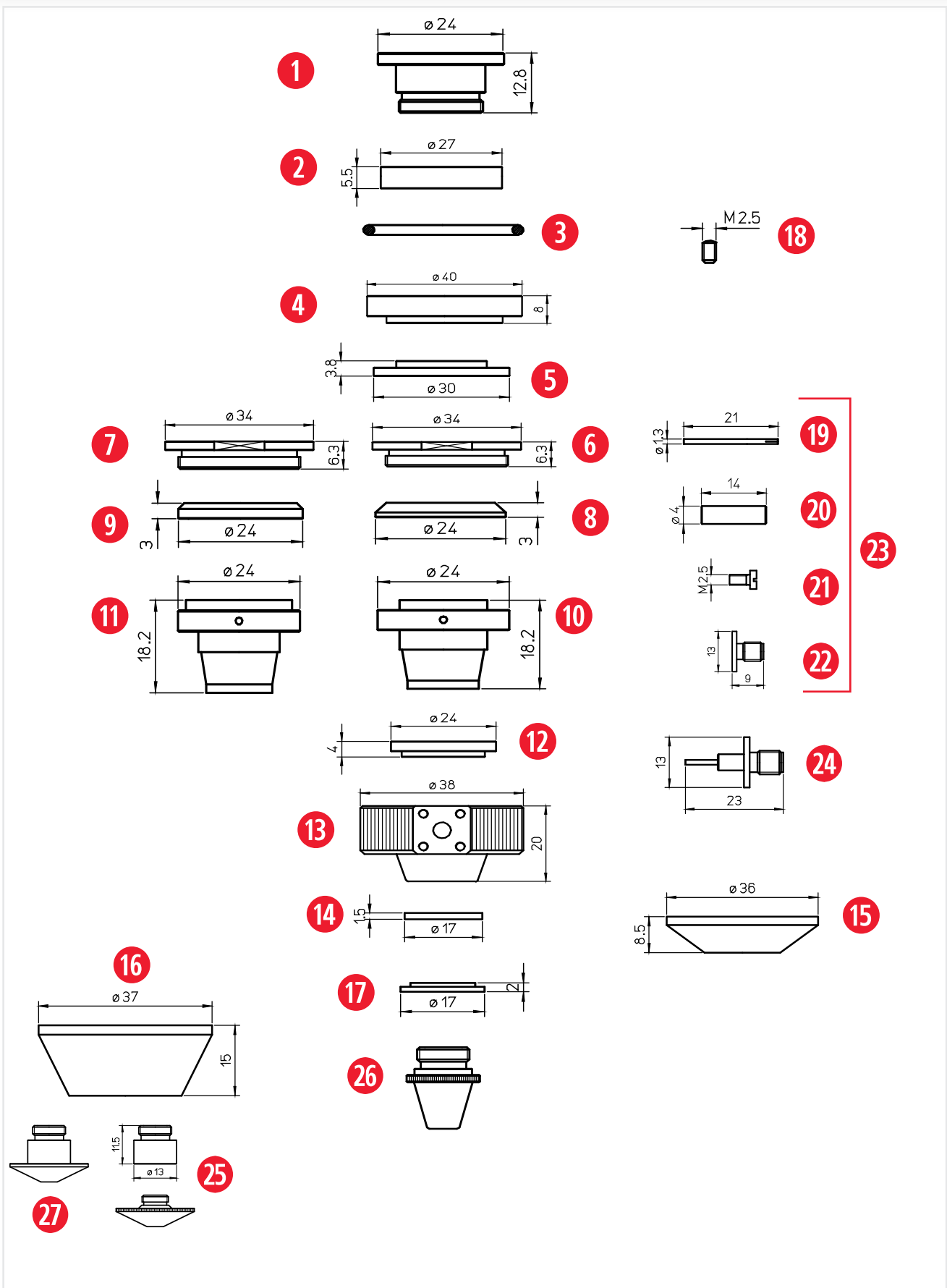
[Dimensions in Inches (mm)]





POS	MATE PART NUMBER	OEM CODE	ALTERNATE CODE	PART DESCRIPTION
1	MLN00225	PLMAZ0045, Z21KV000580	AL61	25 MM-M6 - TABLE ROLLER
	MLN01613	Z21KV000580, Z21R400580	AL325	25 MM-M6 - TABLE ROLLER PKG 2
	MLN01662	Z21KV000580	AL3061	25 MM-M6 - TABLE ROLLER PKG 10
2	MLN00735	Z21ZZ001160	AL210	LARGE ROLLER
3	MLN00226	46575100321	AL62	BLOCK STAINLESS STEEL
4	MLN00554	46705100050	AL134	BLOCK STAINLESS STEEL
5	MLN01614	4677510000101	AL324	BLOCK STAINLESS STEEL

[Dimensions in Inches (mm)]



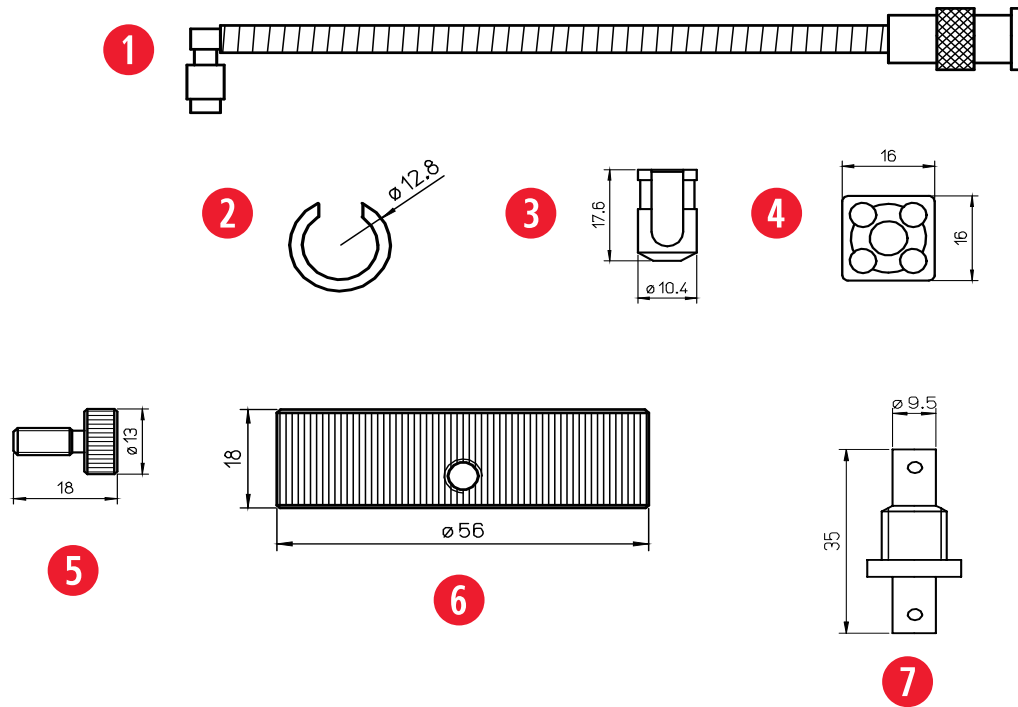
[Dimensions in Inches (mm)]



POS	MATE PART NUMBER	OEM CODE	ALTERNATE CODE	PART DESCRIPTION
1	MLN00233	46683301110, PLMAZ0010	AL74	CENTRAL COPPER BODY
2	MLN00239	46683301080, PLMAZ0025	AL80	SPACER 27x5.5 - PTFE
	MLN00481	46683301080	AL80/P	SPECIAL SPACER 27X5.5 - PLASTIC
	MLN00770	46683301080	AL280	SPACER 27x5.5 - CERAMIC
	MLN01615	46683301080	ALM280	SPACER 27x5.5 - CERAMIC
3	MLN00221	J2600S03200, 4660350001	AL97	O'RING EXTERNAL BASE - RUBBER
4	MLN00243	46683301070	AL84	BASE - BRASS
5	MLN00238	46683301090, 46683302091	AL79	SPACER 30x4 - PTFE
	MLN00480	46683301090, 46683302091	AL79/P	SPECIAL SPACER 30X4 - PLASTIC
	MLN00769	46683301090, 46683302091	AL279	SPACER 30x4 - CERAMIC
	MLN01616	46683301090, 49983302091	ALM279	SPACER 30x4 - CERAMIC
6	MLN00242	46683301100, PLMAZ0029	AL83	NUT- COPPER
7	MLN02010	46773300510	AL376	NUT - COPPER
8	MLN00236	46683301120, PLMAZ0032	AL77	SPACER 24x3 - PTFE
	MLN00478	46683301120	AL77/P	SPECIAL SPACER 24x3 - PLASTIC
	MLN00767	46683301120	AL277	SPACER 24X3 - CERAMIC
	MLN01617	46683301120	ALM277	SPACER 24X3 - CERAMIC
9	MLN01080	46773300710	AL377	SPACER 24X3 - CERAMIC
	MLN01618	46773300710	ALM377	SPACER 24X3 - CERAMIC
10	MLN00234	46683300850, PLMAZ0033	AL75	NOZZLE HOLDER- COPPER
11	MLN01079	46773300720	AL253	NOZZLE HOLDER - COPPER
12	MLN00237	46683301130	AL78	SPACER 24x4 - PTFE
	MLN00479	46683301130	AL78/P	SPECIAL SPACER 24X4 - PLASTIC
	MLN00768	46683301130	AL278	SPACER 24x4 - CERAMIC
	MLN01619	46683301130	ALM278	SPACER 24x4 - CERAMIC
13	MLN00232	46683301140	AL73	BODY - ALUMINUM
14	MLN00240	46683301150	AL81	SPACER 17x1.5 - PTFE
15	MLN00247	46683301930	AL111	PTFE PROTECTION DISK - PTFE
	MLN00487	46683301930	AL111/P	PROTECTION DISK SPECIAL - PLASTIC
	MLN00985	46683301930	AL275	CERAMIC PROTECTION
16	MLN00187	46683301841, PLMAZ0040	AL118	SPACER - PTFE
17	MLN00241	46683301160	AL82	RING - 17x2 - COPPER
18	MLN00246	46683301180	AL119	SCREW FOR CONTACT SLOTTED HEAD
19	MLN00235	46683301170	AL76	CONTACT
20	MLN00244		AL88	CONNECTING PIPE- PTFE
21	MLN00250	46683300000	AL127	SCREW FOR CONNECTORS (4 PCS)
22	MLN00530		AL113	CONNECTOR
23	MLN00248	46683301170	AL154	KIT CONNECTOR (AL76-88-127-113)
24	MLN00771		AL213	CONNECTOR ASSEMBLY
25				Please refer to the Trumpf® catalog-nozzle
26				Please refer to the Mazak® nozzle section
27				Please refer to the Mazak® nozzle section

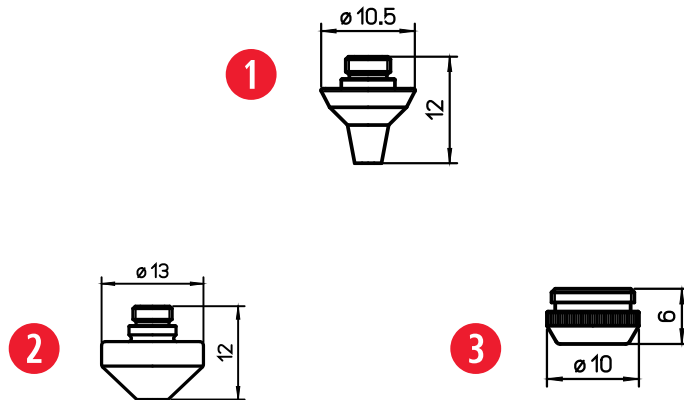
[Dimensions in Inches (mm)]





POS	MATE PART NUMBER	OEM CODE	ALTERNATE CODE	PART DESCRIPTION
1	MLN00212	46683301980, PLMAZ0043	AL103	CONNECTING CABLE FOR SENSOR HEAD
	MLN00579	46683301330	AL103/S	CONNECTING CABLE SENSOR HEAD+3CM
2	MLN00188	46683301870	AL155	COVER CLIPS - PTFE
3	MLN00190	46683301860	AL156	CABLE CONNECTOR COVER - PTFE
	MLN00773	46683301860	AL156/P	CABLE CONNECTOR COVER LONG LIFE - PLASTIC
4	MLN00189	46683301850	AL157	CONNECTOR COVER - PTFE
	MLN00772	46683301850	AL 157/P	LONG LIFE - PLASTIC
5	MLN00254	46683300032	AL152	MILD STEEL BOLT M5 X 0.5
6	MLN00255	46683300930	AL153	RING
7	MLN00213		AL104	CABLE ADAPTER

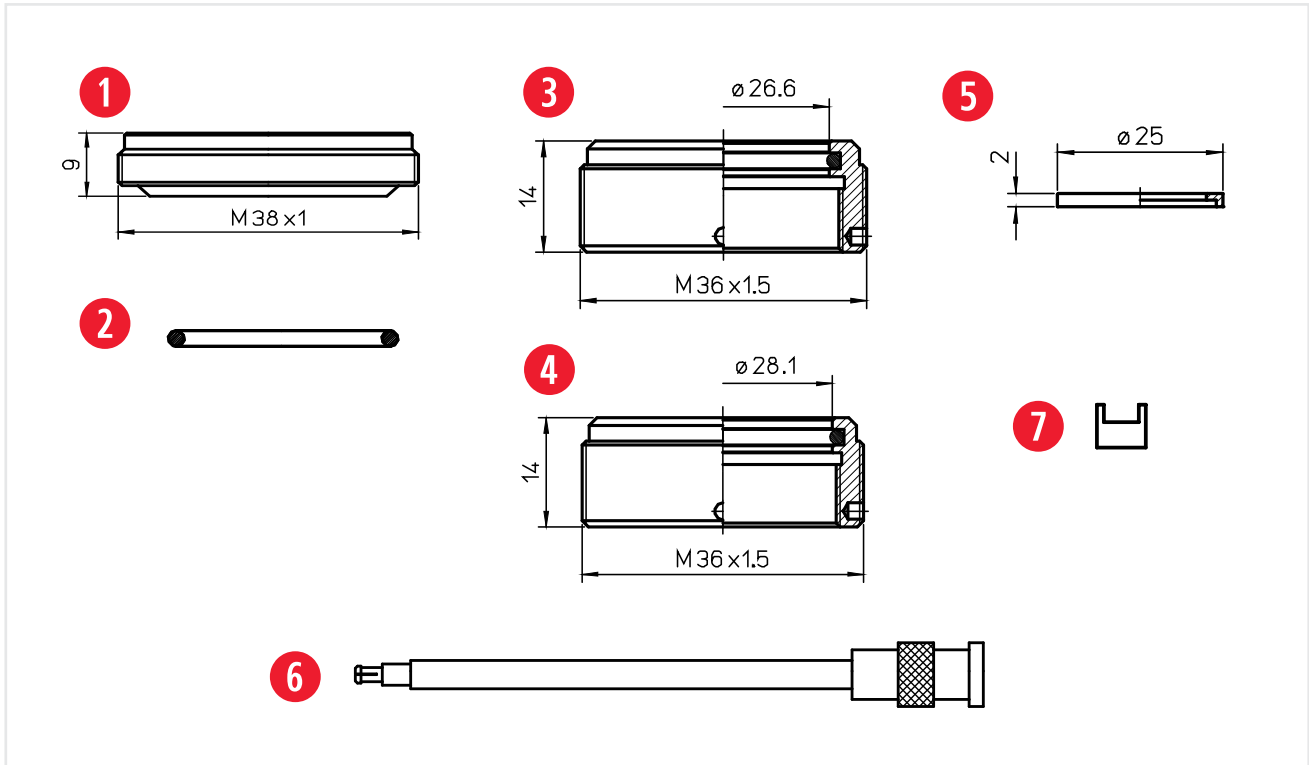
[Dimensions in Inches (mm)]



POS	MATE PART NUMBER	OEM CODE	ALTERNATE CODE	PART DESCRIPTION
1	MLN00785	46713300290-10	L554	SINGLE - 1.0MM 3D NOZZLE
	MLN00786	46713300290-12, 467713300410	L555	SINGLE - 1.2MM 3D NOZZLE
	MLN00483	46713300290-15, P0352-381-00015	L556	SINGLE - 1.5MM 3D NOZZLE
	MLN00787		L557	SINGLE - 1.8MM 3D NOZZLE
	MLN00484	280, 46713300310, P0352-382-00020	L558	SINGLE - 2.0MM 3D NOZZLE
	MLN00788	46713300280-25	L560	SINGLE - 2.5MM 3D NOZZLE
	MLN00597	46713300280-30, 46713300430	L563	SINGLE - 3.0MM 3D NOZZLE
	MLN00789	46713300280-35	L564	SINGLE - 3.5MM 3D NOZZLE
2	MLN00790		L576	SINGLE - 1.0MM 2D NOZZLE
	MLN00485	46713300310, P0352-386-00015	L578	SINGLE - 1.5MM 2D NOZZLE
	MLN00486	46713300300, P0352-387-00020	L580	SINGLE - 2.0MM 2D NOZZLE
	MLN00793	46713300300-25	L581	SINGLE - 2.5MM 2D NOZZLE
	MLN00598	46713300440, 46713300300-30	L582	SINGLE - 3.0MM 2D NOZZLE
3	MLN00528	320, 46713300321, P0352-311-00001	AL160	VESPEL NUT - SPACE GEAR INSULATOR

[Dimensions in Inches (mm)]





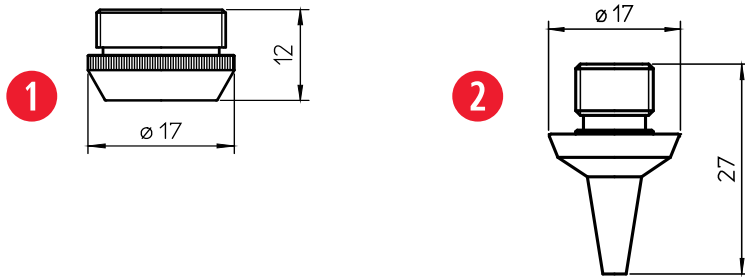
POS	MATE PART NUMBER	OEM CODE	ALTERNATE CODE	PART DESCRIPTION
1	MLN00555	P0492-702-00001,29100021	AL198	INSULATING RING - PLASTIC
2	MLN00034	71366453	AL94	O'RING FOR NOZZLE OUTER
3	MLN00794	46713330200	AL218	5-AXIS INSULATOR
4	MLN01620	46713330920	AL221	INSULATION RING
5	MLN02015	46713330960	AL350	WASHER FOR CONE
6	MLN00556	P0360-100-00500 ,46713300100	AL204	ORIG. SENSOR CABLE KE 500 Z
7	MLN02024	4671330951	AL356	CONNECTOR CUP OUTER BODY

[Dimensions in Inches (mm)]



POS	MATE PART NUMBER	OEM CODE	ALTERNATE CODE	PART DESCRIPTION
1	MLN0044610	281013, P0352-325-00015	L30482	SINGLE 1.5MM ZK NOZZLE 10PK
	MLN0044810	280899, P0352-326-00018	L30483	SINGLE 1.8MM ZK NOZZLE 10PK
	MLN0044710	350044.3, P0352-327-00020	L30484	SINGLE 2.0MM ZK NOZZLE 10PK
	MLN0098810	P0352-328-00025	L30485	SINGLE 2.5MM ZK NOZZLE 10PK
2	MLN0078310	281006, P0352-333-00010	L30486	SINGLE 1.0MM KK NOZZLE 10PK
	MLN0044910	281031, P0352.335.00015	L30488	SINGLE 1.5MM KK NOZZLE 10PK
	MLN0045010	280898, P0352.336.00018	L30489	SINGLE 1.8MM KK NOZZLE 10PK
	MLN0045110	P0352.336.00020	L30490	SINGLE 2.0MM KK NOZZLE 10PK

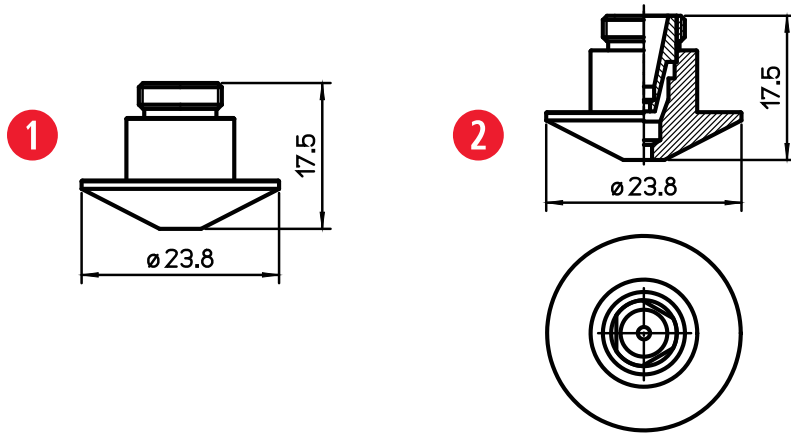
[Dimensions in Inches (mm)]



POS	MATE PART NUMBER	OEM CODE	ALTERNATE CODE	PART DESCRIPTION
1	MLN02007	46713331280	AL337	VESPEL NUT
2	MLN0131110		L301300	SINGLE - 1.0MM 3D NOZZLE 10PK
	MLN0131210	46713331320	L301295	SINGLE - 1.2MM 3D NOZZLE 10PK
	MLN0131310	46713331310	L301296	SINGLE - 1.5MM 3D NOZZLE 10PK
	MLN0162110		L301301	SINGLE - 1.8MM 3D NOZZLE 10PK
	MLN0131410	46713331300	L301297	SINGLE - 2.0MM 3D NOZZLE 10PK
	MLN0131510	46713331330	L301298	SINGLE - 2.5MM 3D NOZZLE 10PK
	MLN0131610	46713331290	L301299	SINGLE - 3.0MM 3D NOZZLE 10PK

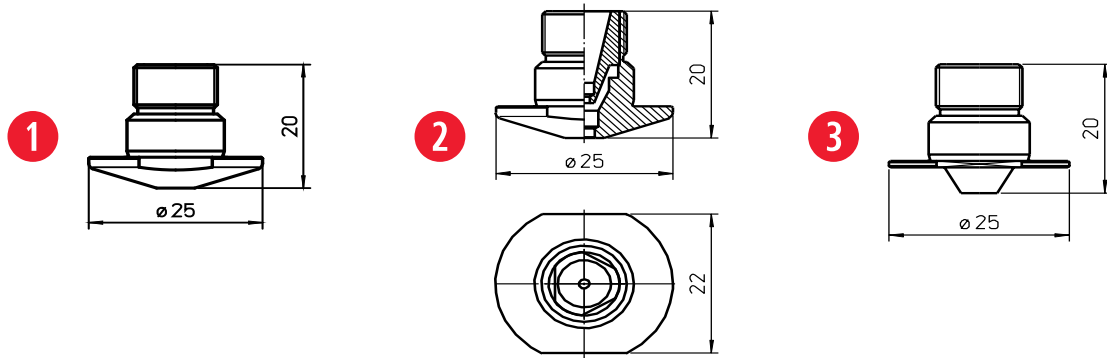
[Dimensions in Inches (mm)]





POS	MATE PART NUMBER	OEM CODE	ALTERNATE CODE	PART DESCRIPTION
1	MLN00215	46683301950	L428	SINGLE - 1.0MM NOZZLE
	MLN00737	46683301950	L423	SINGLE - 1.2MM NOZZLE
	MLN00216	46683301950, PLGJT0460	L429	SINGLE - 1.5MM NOZZLE
	MLN00217	46683301950, 46683301821	L430	SINGLE - 2.0MM NOZZLE
	MLN00218	46683301960	L431	SINGLE - 2.5MM NOZZLE
	MLN00532	46683301970	L432	SINGLE - 3.0MM NOZZLE
	MLN00739		L472	SINGLE - 3.5MM NOZZLE
	MLN00740		L473	SINGLE - 4.0MM NOZZLE
	MLN00744	46683301950	L429X	SINGLE - 1.5MM NOZZLE CHROME
	MLN00745	46683301821	L430X	SINGLE - 2.0MM NOZZLE CHROME
	MLN00747	46683301960	L431X	SINGLE - 2.5MM NOZZLE CHROME
MLN00748	46683301970	L432X	SINGLE - 3.0MM NOZZLE CHROME	
2	MLN00753		L851	DOUBLE - 1.2MM NOZZLE
	MLN00567		L852	DOUBLE - 1.5MM NOZZLE
	MLN00551		L853	DOUBLE - 2.0MM NOZZLE
	MLN00552		L854	DOUBLE - 2.5MM NOZZLE
	MLN00756		L855	DOUBLE - 3.0MM NOZZLE
	MLN00760	46683302420	L852X	DOUBLE - 1.5MM NOZZLE CHROME
	MLN00762	46683302430	L853X	DOUBLE - 2.0MM NOZZLE CHROME
	MLN00765	46683302450	L855X	DOUBLE - 3.0MM NOZZLE CHROME

[Dimensions in Inches (mm)]

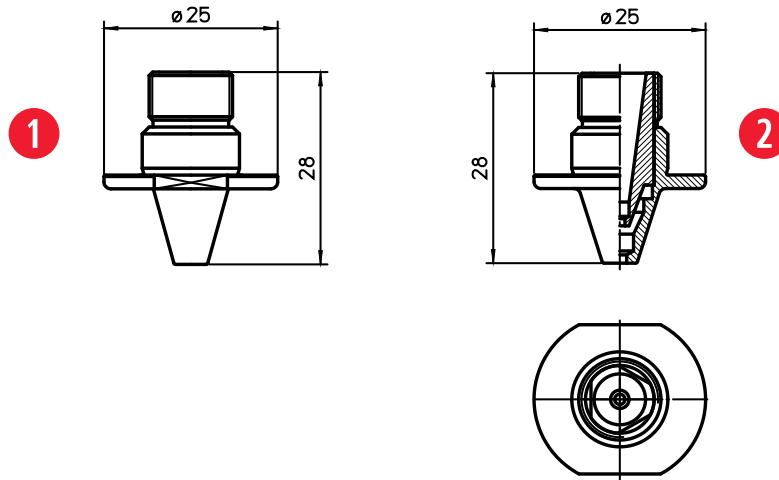


POS	MATE PART NUMBER	OEM CODE	ALTERNATE CODE	PART DESCRIPTION
1	MLN00989		L941X	SINGLE - 1.0MM NOZZLE CHROME
	MLN00789	46143304470	L942X	SINGLE - 1.2MM NOZZLE CHROME
	MLN00799	46143304450	L943X	SINGLE - 1.5MM NOZZLE CHROME
	MLN00800	46143304460	L944X	SINGLE - 2.0MM NOZZLE CHROME
	MLN00801	46143304480	L945X	SINGLE - 2.5MM NOZZLE CHROME
	MLN00802	46143304490	L946X	SINGLE - 3.0MM NOZZLE CHROME
	MLN00803	46143304500	L947X	SINGLE - 3.5MM NOZZLE CHROME
	MLN00804	46143304510	L948X	SINGLE - 4.0MM NOZZLE CHROME
2	MLN00805	46143306450	L952X	DOUBLE - 1.2MM NOZZLE CHROME
	MLN00806	46143306460	L953X	DOUBLE - 1.5MM NOZZLE CHROME
	MLN00807	46143306470	L954X	DOUBLE - 2.0MM NOZZLE CHROME
	MLN00808	46143306480	L955X	DOUBLE - 2.5MM NOZZLE CHROME
	MLN00809	46143306490	L956X	DOUBLE - 3.0MM NOZZLE CHROME
	MLN00810	46143306500	L957X	DOUBLE - 3.5MM NOZZLE CHROME
	MLN00811		L958X	DOUBLE - 4.0MM NOZZLE CHROME
3	MLN01271		L1265	SINGLE - 1.2MM NOZZLE SPECIAL

[Dimensions in Inches (mm)]

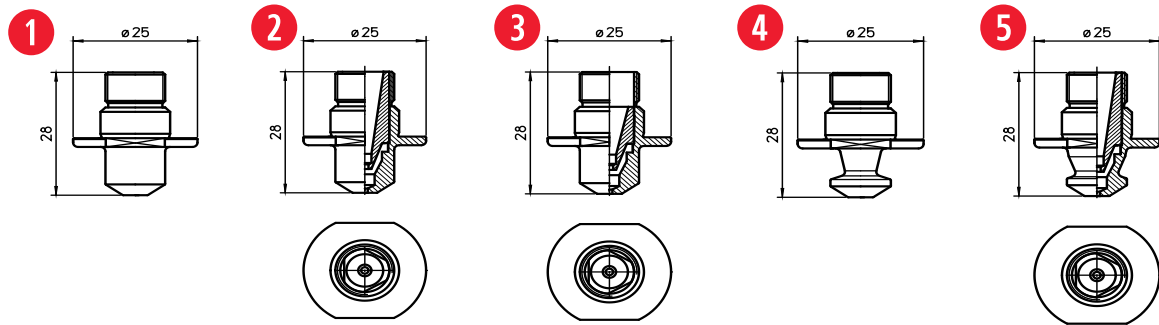






POS	MATE PART NUMBER	OEM CODE	ALTERNATE CODE	PART DESCRIPTION
1	MLN0111610	46143310331	L301380X	SINGLE - SLIM 1.0MM NOZZLE CHROME 10PK
	MLN0103910	46143310341, 46143310342, 46143310343	L301381X	SINGLE - SLIM 1.2MM NOZZLE CHROME 10PK
	MLN0103710	46143310353, 46143310351, 46143310352	L301382X	SINGLE - SLIM 1.5MM NOZZLE CHROME 10PK
	MLN0111710		L301389X	SINGLE - SLIM 1.8MM NOZZLE CHROME 10PK
	MLN0103810	46143310361, 46143310362, 46143310363	L301383X	SINGLE - SLIM 2.0MM NOZZLE CHROME 10PK
	MLN0111810		L301388X	SINGLE - SLIM 2.2MM NOZZLE CHROME 10PK
	MLN0104010	46143310371, 46143310372, 46143310373	L301384X	SINGLE - SLIM 2.5MM NOZZLE CHROME 10PK
	MLN0104110	46143310381, 46143310382, 46143310383	L301385X	SINGLE - SLIM 3.0MM NOZZLE CHROME 10PK
	MLN0111910	46143310391, 46143310392, 46143310393	L301386X	SINGLE - SLIM 3.5MM NOZZLE CHROME 10PK
	MLN0104210	46143310401, 46143310402, 46143310403	L301387X	SINGLE - SLIM 4.0MM NOZZLE CHROME 10PK
2	MLN0104310		L301391X	DOUBLE - SLIM 1.0MM NOZZLE CHROME 10PK
	MLN0112110		L301399X	DOUBLE - SLIM 1.2MM NOZZLE CHROME 10PK
	MLN0104410	36143311500, 36143311501, 36143311502	L301392X	DOUBLE - SLIM 1.5MM NOZZLE CHROME 10PK
	MLN0104510	36143311510, 36143311512	L301393X	DOUBLE - SLIM 2.0MM NOZZLE CHROME 10PK
	MLN0109710	36143311520, 36143311522	L301394X	DOUBLE - SLIM 2.5MM NOZZLE CHROME 10PK
	MLN0107810	36143311530, 36143311532	L301395X	DOUBLE - SLIM 3.0MM NOZZLE CHROME 10PK
	MLN0112510	36143312380	L301396X	DOUBLE - SLIM 3.5MM NOZZLE CHROME 10PK
	MLN0112610	36143312390, 36143312392	L301397X	DOUBLE - SLIM 4.0MM NOZZLE CHROME 10PK
	MLN0112810		L301512X	DOUBLE - SLIM 5.0MM NOZZLE CHROME 10PK

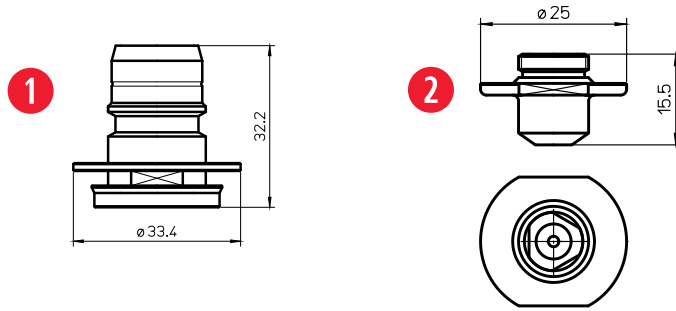
[Dimensions in Inches (mm)]



POS	MATE PART NUMBER	OEM CODE	ALTERNATE CODE	PART DESCRIPTION
1	MLN0120410	06283301190, Q6143312210	L301581X	SINGLE - PENCIL 1.0MM NOZZLE CHROME 10PK
	MLN0120510	36143312220	L301582X	SINGLE - PENCIL 1.2MM NOZZLE CHROME 10PK
	MLN0119710	36143312230	L301583X	SINGLE - PENCIL 1.5MM NOZZLE CHROME 10PK
	MLN0120610	Q6143300060	L301584X	SINGLE - PENCIL 1.8MM NOZZLE CHROME 10PK
	MLN0119810	36143312240	L301585X	SINGLE - PENCIL 2.0MM NOZZLE CHROME 10PK
	MLN0120710		L301586X	SINGLE - PENCIL 2.2MM NOZZLE CHROME 10PK
	MLN0120810	36143312250	L301587X	SINGLE - PENCIL 2.5MM NOZZLE CHROME 10PK
	MLN0120910	36143312260	L301588X	SINGLE - PENCIL 3.0MM NOZZLE CHROME 10PK
	MLN0121010	36143312270	L301589X	SINGLE - PENCIL 3.5MM NOZZLE CHROME 10PK
	MLN0121110	36143312280	L301590X	SINGLE - PENCIL 4.0MM NOZZLE CHROME 10PK
	MLN0162910	6143355590	L301591X	SINGLE - PENCIL 4.5MM NOZZLE CHROME 10PK
	MLN0163010	6283301030	L301592X	SINGLE - PENCIL 5.0MM NOZZLE CHROME 10PK
	MLN0163110	6283301830	L301593X	SINGLE - PENCIL 5.5MM NOZZLE CHROME 10PK
2	MLN0121310		L301601X	DOUBLE - PENCIL 10MM NOZZLE CHROME 10PK
	MLN0121410	Q6143300080	L301602X	DOUBLE - PENCIL 12MM NOZZLE CHROME 10PK
	MLN0119910	36143312300	L301603X	DOUBLE - PENCIL 15MM NOZZLE CHROME 10PK
	MLN0121510	36143312310	L301604X	DOUBLE - PENCIL 18MM NOZZLE CHROME 10PK
	MLN0120010	36143312311	L301605X	DOUBLE - PENCIL 20MM NOZZLE CHROME 10PK
	MLN0121610		L301606X	DOUBLE - PENCIL 22MM NOZZLE CHROME 10PK
	MLN0121710	36143312320	L301607X	DOUBLE - PENCIL 25MM NOZZLE CHROME 10PK
	MLN0121810	36143312330	L301608X	DOUBLE - PENCIL 30MM NOZZLE CHROME 10PK
	MLN0121910	36143312340	L301609X	DOUBLE - PENCIL 35MM NOZZLE CHROME 10PK
	MLN0122010	36143312350	L301610X	DOUBLE - PENCIL 40MM NOZZLE CHROME 10PK
	MLN0122110	Q6143312360	L301611X	DOUBLE - PENCIL 45MM NOZZLE CHROME 10PK
MLN0122210	Q6143312370	L301612X	DOUBLE - PENCIL 50MM NOZZLE CHROME 10PK	
3	MLN0163210	Q6260700010	L301614X	DOUBLE - PENCIL 4.0MM - 1.2MM NOZZLE CHROME 10PK
	MLN0163310	6143355360	L301615X	DOUBLE - PENCIL 4.0MM - 1.4MM NOZZLE CHROME 10PK
	MLN0163410	6143355370	L301616X	DOUBLE - PENCIL 4.0MM - 1.8MM NOZZLE CHROME 10PK
	MLN0163510	6283301050	L301617X	DOUBLE - PENCIL 4.5MM - 1.2MM NOZZLE CHROME 10PK
	MLN0163610	6283301200	L301618X	DOUBLE - PENCIL 5.0MM - 1.2MM NOZZLE CHROME 10PK
	MLN0163710	6283301210	L301619X	DOUBLE - PENCIL 5.5MM - 1.2MM NOZZLE CHROME 10PK
	MLN0163810	6283301840	L301686X	DOUBLE - PENCIL 5.5MM - 2.0MM NOZZLE CHROME 10PK
4	MLN0163910	6283301790	L301816X	SINGLE - PENCIL 1.0MM HP NOZZLE CHROME 10PK
	MLN0164010	6283301800	L301817X	SINGLE - PENCIL 1.2MM HP NOZZLE CHROME 10PK
	MLN0164110	6283301810	L301818X	SINGLE - PENCIL 1.5MM HP NOZZLE CHROME 10PK
5	MLN0164610	6283301820	L301829X	DOUBLE - PENCIL 1.5MM HP NOZZLE CHROME 10PK

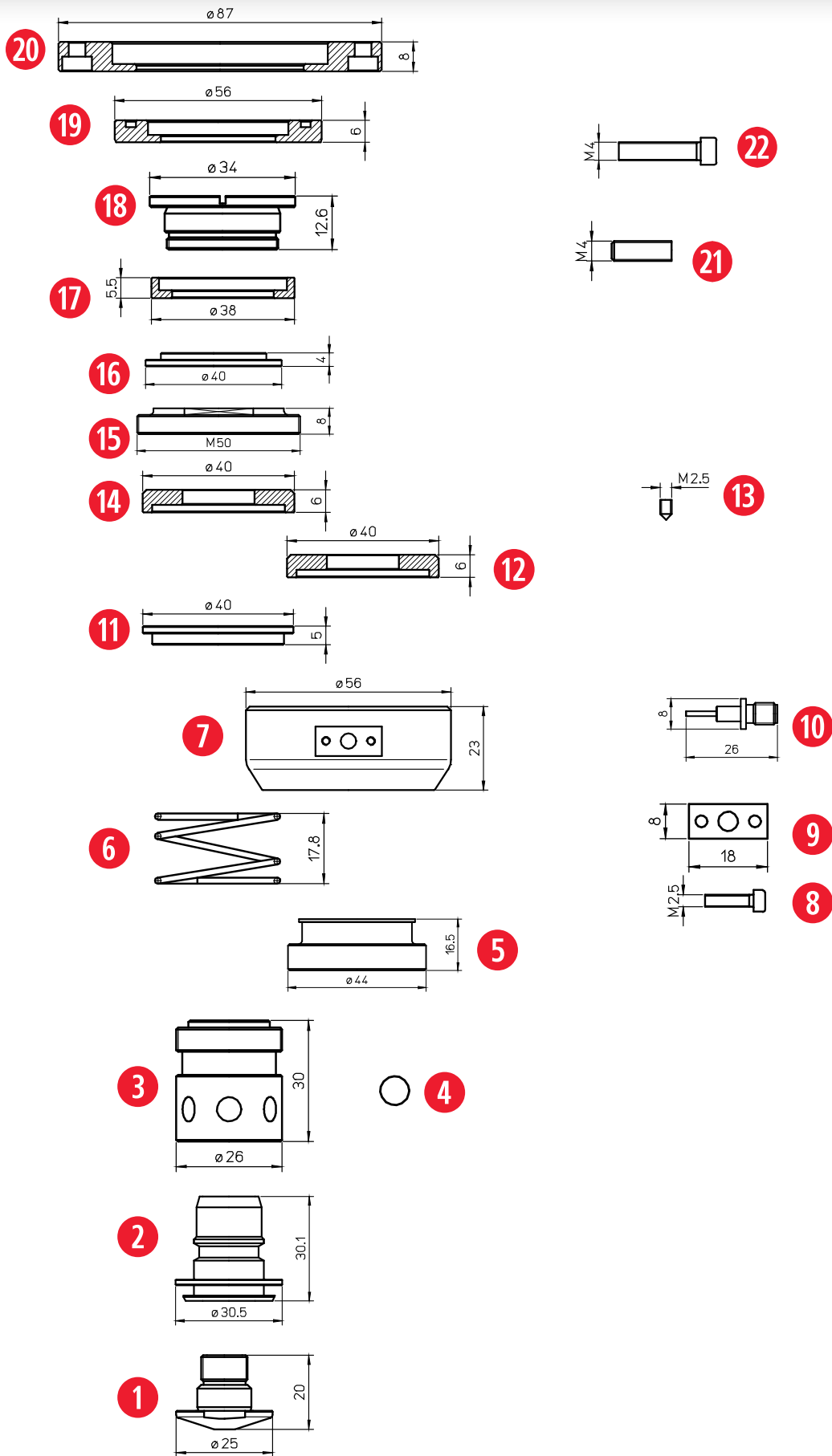
[Dimensions in Inches (mm)]





POS	MATE PART NUMBER	OEM CODE	ALTERNATE CODE	PART DESCRIPTION
1	MLN01642	036143310523	AL465	SPECIAL NOZZLE HOLDER
2	MLN01643	Q6283300030	L1890	DOUBLE - 6.0MM SMOOTH NOZZLE
	MLN01644	Q6283300020	L1891	DOUBLE - 7.5MM SMOOTH NOZZLE
	MLN01645	Q6283300010	L1892	DOUBLE - 9.5MM SMOOTH NOZZLE

[Dimensions in Inches (mm)]



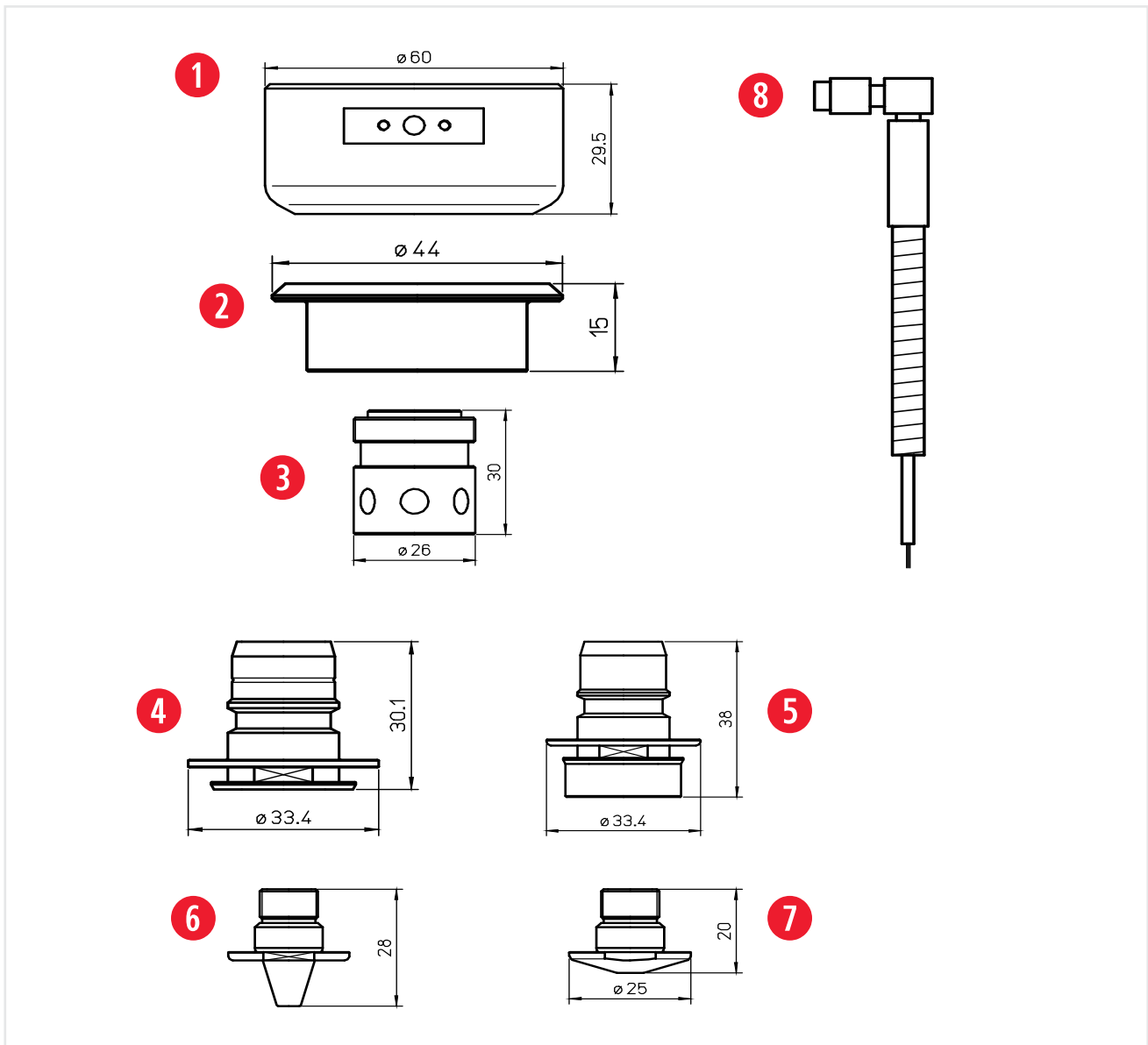
[Dimensions in Inches (mm)]



POS	MATE PART NUMBER	OEM CODE	ALTERNATE CODE	PART DESCRIPTION
1				Please refer to the Mazak® nozzle section
2	MLN00812	36143304420	AL242	NOZZLE HOLDER
3	MLN01009	36143304400	AL291	COUPLER
4	MLN01066	46143300230	AL311	KIT BALL - 6 PCS
6	MLN01270	46143308000	AL314	RETAINER SPRING STEEL
7	MLN01011	46143300220	AL289	SPRING
9	MLN01257	36143307980	AL313	BODY - ALUMINUM
10	MLN01067	A05GS002560	AL317	SCREW FOR CONNECTOR - 2 PCS
11	MLN01259	46143308170	AL318	SPACER FOR CONNECTOR ALUMINUM
12	MLN01258	46143308190	AL315	CONNECTOR
13	MLN01013	46143300240	AL284	INSULATOR 40 x 5 - CERAMIC
	MLN01014	46143300240	AL384	INSULATOR 40 x 5 - PTFE
15	MLN01272	46143307421, 46143307421	AL295	RETAINER NUT W/AMPLIF. HOLE 1.3
16	MLN01261	46683301180, A15B04X0120	AL322	SCREW HEX DRIVE
17	MLN01016	46143304440	AL290	INSULATOR 40 x 6 - CERAMIC
	MLN01017	46143304440	AL390	INSULATOR 40 x 6 - PTFE
18	MLN01018	46143300290	AL294	RETAINER NUT
19	MLN01019	46143300260	AL285	INSULATOR 40 x 4 - CERAMIC
	MLN01020	46143300260	AL385	INSULATOR 40 x 4 - PTFE
20	MLN01021	46143300270	AL286	INSULATOR 38 x 5.5 - CERAMIC
	MLN01022	46143300270	AL386	INSULATOR 38 x 5.5 - PTFE
21	MLN01023	46143300280	AL288	RETAINER NUT W/CONE
22	MLN01065	46143300320	AL316	RING - BRASS
23	MLN01273	36143300332	AL320	RING - ALUMINUM
	MLN02018	6283300630, 6143355150	AL492	RING 85X8 ALUMINUM
	MLN02019	6143355150	AL491	RING 85X8 BRASS
24	MLN01274	A15B04X0120	AL321	SCREW FOR HEAD CENTERING - 4 PCS
25	MLN01260	A06CB040160	AL319	SET SCREWS FOR HEAD - 4 PCS

[Dimensions in Inches (mm)]

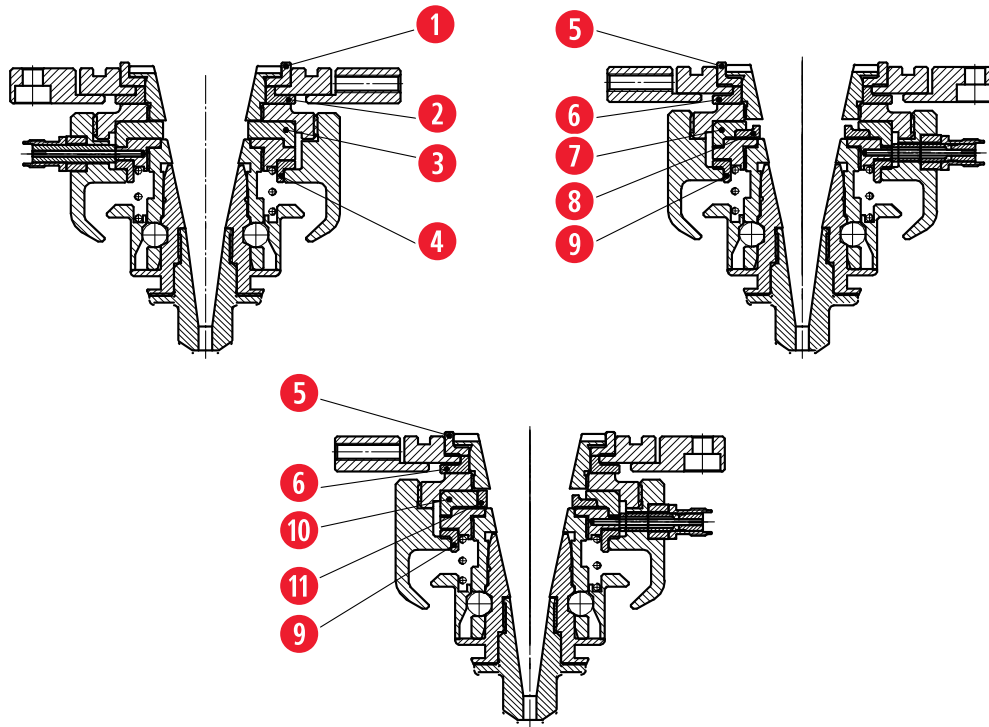




POS	MATE PART NUMBER	OEM CODE	ALTERNATE CODE	PART DESCRIPTION
1	MLN01262	36143310550	AL365	BODY - ALUMINUM
2	MLN01647	36143310541	AL366	RETAINER SPRING STEEL
3	MLN01263	36143310530, 36143310531	AL367	COUPLER
4	MLN01244	36143310523, 36143310522	AL362	NOZZLE HOLDER LARGE
5	MLN01648	36143310740	AL363	NOZZLE HOLDER LONG
6				Please refer to Mazak® Slim Nozzle section
7				Please refer to Mazak® Nozzle section
8	MLN01269	46143308290	AL368	DOWNSIDE CABLE OF PREAMP BUILT-IN TYPE

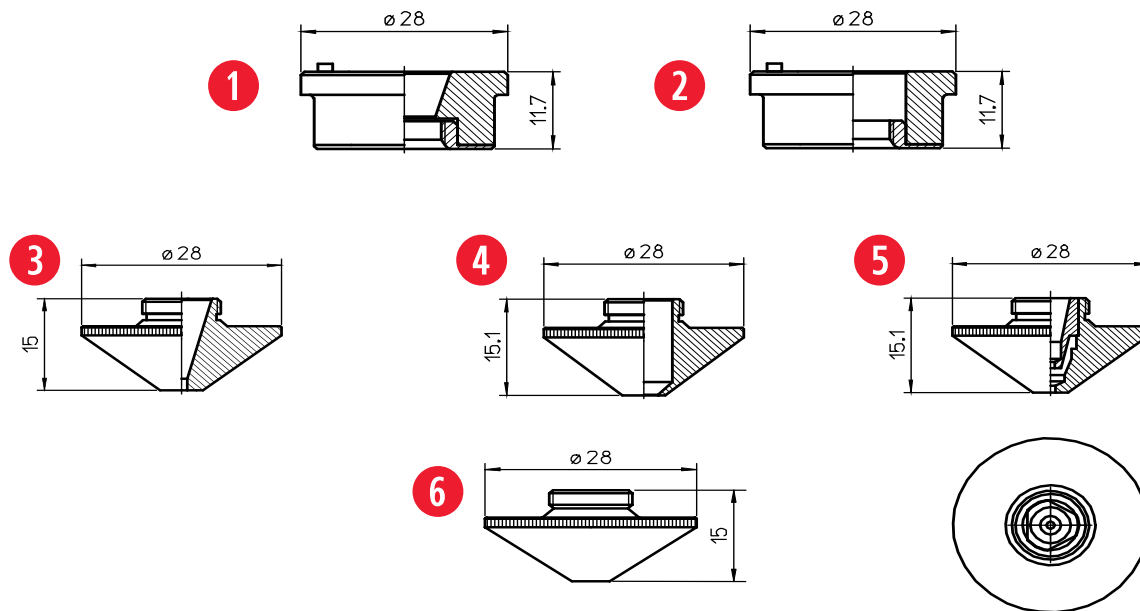
[Dimensions in Inches (mm)]





POS	MATE PART NUMBER	OEM CODE	ALTERNATE CODE	PART DESCRIPTION
1	MLN01021	46143300270	AL286	INSULATOR 38 x 5.5 - CERAMIC
	MLN01022	46143300270	AL386	INSULATOR 38 x 5.5 - PTFE
2	MLN01019	46143300260	AL285	INSULATOR 40 x 4 - CERAMIC
	MLN01020	46143300260	AL385	INSULATOR 40 x 4 - PTFE
3	MLN01016	46143304440	AL290	INSULATOR 40 x 6 - CERAMIC
	MLN01017	46143304440	AL390	INSULATOR 40 x 6 - PTFE
4	MLN01013	46143300240	AL284	INSULATOR 40 x 5 - CERAMIC
	MLN01014	46143300240	AL384	INSULATOR 40 x 5 - PTFE
5	MLN01264	46143312100	AL486	RING PPS
6	MLN01265	46143312130	AL485	RING PPS
7	MLN01649	466143312170, 46143312080	AL490	SPACER PPS
8	MLN01650	46143312090	AL487	RING
9	MLN01268	46143312120	AL484	RING PPS
10	MLN01266	46143312170	AL464	PPS RING 40 x 6
11	MLN01267	46143312180	AL463	CERAMIC RING 23x4

[Dimensions in Inches (mm)]



POS	MATE PART NUMBER	OEM CODE	ALTERNATE CODE	PART DESCRIPTION
1	MLN01149	P0571-1051-00001	AL355	ORIGINAL NOZZLE HOLDER KT B2" CON
	MLN01564	P0571-1051-00001	AL495	NOZZLE HOLDER KT B2" CON
	MLN01238	P0571-1051-00001	AL380	NOZZLE HOLDER KT B2" CON
2	MLN00400	281330-P0571-260-00001	AL23	ORIGINAL NOZZLE HOLDER KT B2"
	MLN00968	281330 - P0571-260-00001	AL131	NOZZLE HOLDER KT B2"
	MLN01563	281330 - P0571-260-00001	AL421	NOZZLE HOLDER KT B2"
3				Please refer to the Precitec® catalog-nozzle
4	MLN01651	6283300180	L1692	SINGLE - 4.0MM NOZZLE
6	MLN01655	6283300050	L1701	DOUBLE - 1.5MM NOZZLE
	MLN01656	6283300060	L1702	DOUBLE - 2.0MM NOZZLE
	MLN01657	6283300070	L1703	DOUBLE - 2.5MM NOZZLE
	MLN01658	6283300080	L1704	DOUBLE - 3.0MM NOZZLE
	MLN01659	6283300090	L1705	DOUBLE - 3.5MM NOZZLE
	MLN01660	6283300100	L1706	DOUBLE - 4.0MM NOZZLE
	MLN01661	6283300110	L1707	DOUBLE - 4.5MM NOZZLE
7	MLN00911	Z50ZZ015440	L241X	SINGLE - 3.0MM NOZZLE CHROME
	MLN00916		L667X	DOUBLE - 3.0MM NOZZLE CHROME
	MLN00908	Z50ZZ015420	L238X	SINGLE - 2.0MM NOZZLE CHROME

[Dimensions in Inches (mm)]





PERFORMAX - STANDARD ABSORPTION LENSES					
MATE PART NUMBER	OEM CODE	TYPE	DIAMETER	FOCAL LENGTH	EDGE THICKNESS
MLL00001	Z50MB000130	MENISCUS	1.5" (38.1mm)	5.0" (127mm)	.244" (6.2mm)
MLL00010	Z50MB000160	PLANO CONVEX	1.5" (38.1mm)	5.0" (127mm)	.236" (5.99mm)
MLL00016	Z50MB000400 , 578662	PLANO CONVEX	1.5" (38.1mm)	5.0" (127mm)	.300" (7.62mm)
MLL00017		PLANO CONVEX	1.5" (38.1mm)	7.5" (190.5mm)	.300" (7.62mm)
MLL00024	Z50ZZ005160	PLANO CONVEX	2.0" (50.8mm)	5.0" (127mm)	.310" (7.87mm)
MLL00025	Z50ZZ005200	PLANO CONVEX	2.0" (50.8mm)	7.5" (190.5mm)	.310" (7.87mm)
MLL00018	Z50ZZ00520A , 232711	PLANO CONVEX	2.0" (50.8mm)	7.5" (190.5mm)	.380" (9.65mm)
MLL00027	Z50ZZ00516A , 578662	PLANO CONVEX	2.0" (50.8mm)	5.0" (127mm)	.380" (9.65mm)
MLL00021		MENISCUS	2.0" (50.8mm)	5.0" (127mm)	.380" (9.65mm)
MLL00070	AUTO FOCUS , Z50ZZ013480	PLANO CONVEX	2.0" (50.8mm)	5.0" (127mm)	.380" (9.65mm)
MLL00071	AUTO FOCUS , Z50ZZ013470	PLANO CONVEX	2.0" (50.8mm)	7.5" (190.5mm)	.380" (9.65mm)

PEAK - LOW ABSORPTION LENSES					
MATE PART NUMBER	OEM CODE	TYPE	DIAMETER	FOCAL LENGTH	EDGE THICKNESS
MLP00016	Z50MB000400 , 578662	PLANO CONVEX	1.5" (38.1mm)	5.0" (127mm)	.300" (7.62mm)
MLP00017		PLANO CONVEX	1.5" (38.1mm)	7.5" (190.5mm)	.300" (7.62mm)
MLP00024	Z50MB005100	PLANO CONVEX	2.0" (50.8mm)	5.0" (127mm)	.310" (7.87mm)
MLP00025	Z50MB005200	PLANO CONVEX	2.0" (50.8mm)	7.5" (190.5mm)	.310" (7.87mm)
MLP00018	Z50MB00520A , 232711	PLANO CONVEX	2.0" (50.8mm)	7.5" (190.5mm)	.380" (9.65mm)
MLP00027	Z50MN00516A	PLANO CONVEX	2.0" (50.8mm)	5.0" (127mm)	.380" (9.65mm)

BLACK MAGIC- LOW ABSORPTION LENSES					
MATE PART NUMBER	OEM CODE	TYPE	DIAMETER	FOCAL LENGTH	EDGE THICKNESS
MLB00016	Z50MB000400 , 578662	PLANO CONVEX	1.5" (38.1mm)	5.0" (127mm)	.300" (7.62mm)
MLB00017		PLANO CONVEX	1.5" (38.1mm)	7.5" (190.5mm)	.300" (7.62mm)
MLB00024	Z50MB005100	PLANO CONVEX	2.0" (50.8mm)	5.0" (127mm)	.310" (7.87mm)
MLB00025	Z50MB005200	PLANO CONVEX	2.0" (50.8mm)	7.5" (190.5mm)	.310" (7.87mm)
MLB00018	Z50MB00520A , 232711	PLANO CONVEX	2.0" (50.8mm)	7.5" (190.5mm)	.380" (9.65mm)
MLB00027	Z50MN00516A	PLANO CONVEX	2.0" (50.8mm)	5.0" (127mm)	.380" (9.65mm)

FIBERSHIELD - FIBER LASER PROTECTIVE WINDOWS					
MATE PART NUMBER	OEM CODE	TYPE	DIAMETER	EDGE THICKNESS	
MLW00004	W495, P0589-360-00001 , R26RT006410	FUSED SILICA	22.3mm	4.1mm	
MLW00018	W495, Z50SA015350, 1801437-3	FUSED SILICA	42.0mm	9.0mm	

OPTICS CARE	
MATE PART NUMBER	DESCRIPTION
MLN00570	1.5" Polarizer Filter
MLN01105	Cleaning Holder w/ 1.5" Polarizer Filter
MLN01106	Cleaning Holder w/ 2.0" Polarizer Filter
MLN01104	Wet Cleaning Wipes - 24 Pack
MLN01996	Optical Cleaning Fluid - Spray
MLN01997	Lens Cleaning Paper - 50 Sheets Tiffin Wipes
MLN01998	4x4 Polyester Wipes - 100 Pack
MLN02000	Lens Cleaning Swabs - 25 Pack
MLN01483	Lens / Mirror Cleaning Base
MLN00582	Lensmate Cleaning Paper - Booklet 4x6 Sheets

[Dimensions in Inches (mm)]



SHOP 24/7 AT [shop.mate.com](http://shop.mate.com)

Search

Cart

0 items in cart! total \$0 [View](#)

[Call](#)

Hello, Guest! [Logout](#)

Home > Laser Technologies

## Laser Technologies



Mate offers a complete range of state-of-the-art CO<sub>2</sub> and Fiber Laser optics and consumables to meet virtually any laser need. We offer over 2,000 competitively priced parts including lenses, windows, nozzles, cubes and more. Our product line includes:

**CO<sub>2</sub> Lenses:**

- Performax™, Peak™ and Black Flags™ to meet a wide variety of performance needs
- Tuboam™ mirrors that offer maximum reflectivity and durability for continuous service life

**Fiber Lenses:**

- Fibermat™ lenses
- Fibershield™ windows

**Consumables:**

- FLOWMASTER™ Nozzles that provide superior cutting control for improved cut quality
- FLOWMASTER™ Accessories
- LENSIMATE™ Maintenance Supplies

Available for all popular CO<sub>2</sub> laser machines, Mate CO<sub>2</sub> laser products are backed by our 100% satisfaction guarantee.

**SUB-CATEGORIES**

CO<sub>2</sub> Lenses & Mirrors
Fiber Lenses & Windows
CO<sub>2</sub> & Fiber Laser Consumables

Mate Precision Tooling is not affiliated with any named original equipment manufacturer. All names, part numbers and trademarks are the property of their respective owners and are used for identification purposes only. All products in this catalog are made for and/or by Mate Precision Tooling.

1295 Lund Boulevard • Anoka, Minnesota 55303 • USA  
 (763) 421-0230 • (800) 328-4492  
 En Español: +1 (763) 570-3700  
[info@mate.com](mailto:info@mate.com)

Copyright © 2017 Mate Precision Tooling. All Rights Reserved



## Wide Selection for all OEMs

- CO<sub>2</sub> Lenses
- Fiber Lenses
- Consumables

*Purchase orders and all major credit cards accepted.*



[shop.mate.com](http://shop.mate.com)

[Dimensions in Inches (mm)]



*[Dimensions in Inches (mm)]*





## **MATE PRECISION TECHNOLOGIES** GLOBAL COVERAGE

### **WORLDWIDE HEADQUARTERS:**

1295 Lund Boulevard, Anoka, Minnesota 55303 USA  
Tel +1.763.421.0230 [mate.com](http://mate.com)

[orders@mate.com](mailto:orders@mate.com)