

LASER

PN

TRUMPF

ENGLISH



High Performance Laser Consumables

TRUMPF®

CO2 & FIBER LASER

- NOZZLES
- OPTICS
- ACCESSORIES



Headquartered in Anoka, Minnesota, in a 300,000 sq. ft. (28,000m²) state-of-the-art facility.

SEVEN DECADES OF EXCELLENCE

Founded in 1962, Mate is a world-class manufacturer of superior solutions for the metal cutting and metal forming industries. We manufacture workholding systems, CNC punch press tooling, and offer a complete line of press brake tooling and laser consumables. Mate products and services are available worldwide, fully supported by more than 80 dealers in every industrialized country.

PERSONAL, RESPECTFUL RELATIONSHIPS

Mate does business with people, not companies. Our connection to you is personal. Mate's team of manufacturing and metalworking professionals knows what you go through. We know what it's like to compete for that next job, manage deadlines or even need a rescue. With Mate you have a partner that respects your knowledge and is dedicated to helping you succeed.

YOUR GO-TO SOURCE

Serving our customers is at the core of who we are. In your plant or on the phone, we're up for whatever metalworking challenges you face. Your Mate representatives are experts who know from experience what happens on the shop floor and provide our legendary in-field support. They speak your language, fully capable of helping you improve processes and solve problems. Mate customer service is ready to assist with fast quotes, guiding your order on to our top-notch machinists and shipping pros.

GET INSPIRED!

With our vast knowledge and broad product range we inspire innovative thinking. Our customer's projects can be seen around the world: from unique building façades thought to be impossible to make, to a new way to add strength to thin material. The possibilities are endless, so think big, bold and beyond.

WE'VE GOT YOU COVERED

Dedicated to quality in every aspect of our business, Mate offers an extensive standard product line that can be delivered with same day or next day service. All Mate products are backed with our industry leading 100% customer satisfaction guarantee.



MATE'S MISSION AND PROMISE TO YOU:

Mate's mission is to personally **Respect, Support** and **Inspire** metalworking professionals around the world with high-quality products and services for factory productivity.

[Dimensions in Inches (mm)]



PERFORMAX™

Performax™ CO2 Laser Lenses (MLL Series)

MATE PERFORMAX™ – the production lens for consistent CO2 laser performance

- Ideal for general laser cutting 4Kw and less
- Rated at less than 0.20% absorption, among the lowest standard lenses on the market
- Superior polishing for a smoother, easier to clean surface. Polished to a 20/10 scratch/dig specification to resist spatter and stay clean longer



PEAK™

Low Absorption CO2 Laser Lenses (MLP Series)

The difference is clear: MATE PEAK™ low absorption, high performance CO2 laser lenses for demanding applications or high power cutting

- Less than 0.15% absorption offers improved cut quality, consistency and longer lens life
- Helium Neon (HeNe) laser beam compatible for better part alignment
- Proprietary clear coating offers superior lens stability, and allows for lens inspection and stress analysis
- Reduces optical distortion and focal length shift



BLACKMAGIC™

Low Absorption CO2 Laser Lenses (MLB Series)

- Increased Performance and Versatility: Produce improved cuts on aluminum, stainless and other materials
- Coating: Black Magic lenses have the most durable coating in the industry and are spatter resistant
- Impervious to humidity: Work well regardless of humidity for assured efficiency
- Cost Savings: Usually last twice as long or more as standard lenses



1 MICRON OPTICS

Fiber Laser Optics (MLF and MLW Series)

- Lower absorption for maximum cut quality and extended optic life
- Clear coating offers superior lens stability
- Consistent performance: manufactured to exceptionally high tolerances for consistent performance and uniform cutting
- Approved by leading OEMs



FLOWMASTER™

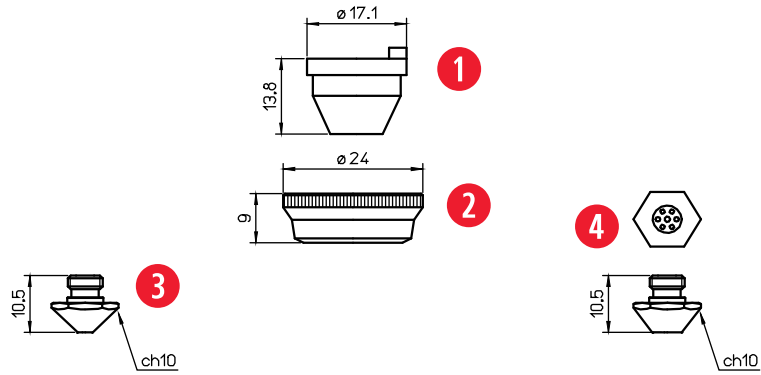
Nozzles and Nozzle Holders (MLN Series)

MATE FLOWMASTER™ nozzles are available in single and double style

- Highest quality copper alloy, stainless and hard stainless material
- Precision manufactured to tight tolerances of +/- 0-10 microns
- Micro-finished internal surfaces improve airflow
- Available for most OEM laser machine manufacturers
- Mate® carries over 2000 types of laser MLN nozzles and nozzle holders
- Manufactured to exacting standards to eliminate unnecessary variables and costly cutting problems for maximum productivity

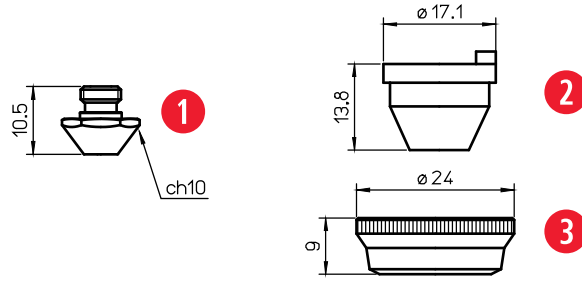


[Dimensions in Inches (mm)]



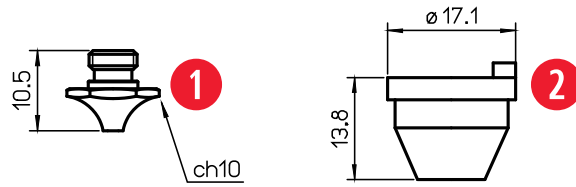
POS	MATE PART NUMBER	OEM CODE	ALTERNATE CODE	PART DESCRIPTION
1	MLN00357	280408 , 092405	AL53	HOLDER - CERAMIC KT M1.5" KN
2	MLN00835	280550 , P0494-940-00001	AL177	RING
3	MLN00358	226939	L211	SINGLE - 1.0MM NOZZLE
	MLN00359		L212	SINGLE - 1.4MM NOZZLE
	MLN00360		L213	SINGLE - 1.7MM NOZZLE
	MLN00364		L214	SINGLE - 1.0MM HD NOZZLE
	MLN00362	226940	L215	SINGLE - 1.4MM HD NOZZLE
	MLN00363	227144	L216	SINGLE - 1.7MM HD NOZZLE
	MLN0035810	226939	L40211	SINGLE - 1.0MM NOZZLE (10PK)
4	MLN00365	237364	L395	SINGLE - 1.0MM SHOWER NOZZLE

[Dimensions in Inches (mm)]



POS	MATE PART NUMBER	OEM CODE	ALTERNATE CODE	PART DESCRIPTION
1	MLN01935	135420 , 1354230	L1150	SINGLE - 0.8MM NOZZLE
	MLN01936	212334	L255	SINGLE - 1.5MM EBD NOZZLE
	MLN0193610	212334	L40255	SINGLE - 1.5MM EBD NOZZLE (10PK)
	MLN01937		L1151	SINGLE - 0.8MM HD NOZZLE
	MLN00367	216199	L256	SINGLE - 1.4MM HD NOZZLE
	MLN00368	225213	L257	SINGLE - 1.7MM HD NOZZLE
	MLN00369	1487009	L1147	SINGLE - 2.0MM HD NOZZLE
	MLN00842	212334	L255X	SINGLE - 1.0MM EBD NOZZLE CHROME
	MLN00843		L270X	SINGLE - 1.0MM HD EBD NOZZLE CHROME
	MLN00844	216199	L256X	SINGLE - 1.4MM HD EBD NOZZLE CHROME
	MLN00845	225213	L257X	SINGLE - 1.7MM HD EBD NOZZLE CHROME
	MLN00846	136156	L277X	SINGLE - 2.3MM HD EBD NOZZLE CHROME
	MLN01938	126156	L277	SINGLE - 2.3MM HD NOZZLE
	MLN01939		L1149	SINGLE - 2.5MM HD NOZZLE
	MLN01940		L1152	SINGLE - 2.7MM HD NOZZLE
2	MLN00357	280408 , 092405	AL53	HOLDER - CERAMIC KT M1.5" KN
3	MLN00835	280550 , P0494-940-00001	AL177	RING

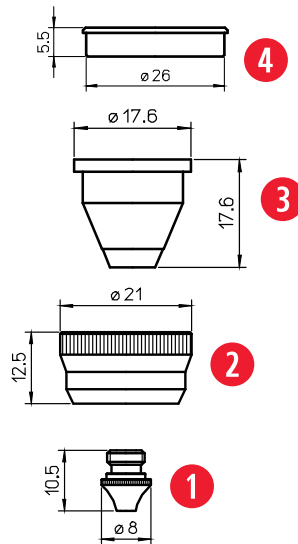
[Dimensions in Inches (mm)]



POS	MATE PART NUMBER	OEM CODE	ALTERNATE CODE	PART DESCRIPTION
1	MLN00847	135320	L625	SINGLE - 1.0MM NOZZLE
	MLN00850	35318	L628	SINGLE - 1.4 MM HD NOZZLE
	MLN00851		L629	SINGLE - 1.7MM HD NOZZLE
2	MLN00357	280408 , 092405	AL53	HOLDER - CERAMIC KT M1.5" KN

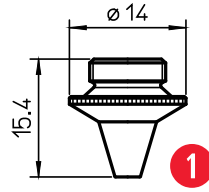
[Dimensions in Inches (mm)]





POS	MATE PART NUMBER	OEM CODE	ALTERNATE CODE	PART DESCRIPTION
1	MLN00859	958206	L745	SINGLE - 0.25MM NOZZLE
	MLN00384	913799	L500	SINGLE - 0.8MM HD EBG NOZZLE
	MLN00385	913800	L501	SINGLE - 1.0MM HD EBG NOZZLE
	MLN01943	1487034	L498	SINGLE - 1.2MM HD EBG NOZZLE
	MLN00386	913801	L502	SINGLE - 1.4MM HD EBG NOZZLE
	MLN00387	937988	L503	SINGLE - 1.7MM HD NOZZLE
	MLN00388	937989	L504	SINGLE - 2.3MM HD EBG NOZZLE
	MLN01944		L499	SINGLE - 1.75MM HD NOZZLE
	MLN01945		L508	SINGLE - 2.0MM HD NOZZLE
	MLN00861	913800	L501X	SINGLE - 1.0MM HD EBG NOZZLE CHROME
	MLN00862	913801	L502X	SINGLE - 1.4MM HD EBG NOZZLE CHROME
	MLN00863	937988	L503X	SINGLE - 1.7MM HD EBG NOZZLE CHROME
	MLN00864	937989	L504X	SINGLE - 2.3MM HD EBG NOZZLE CHROME

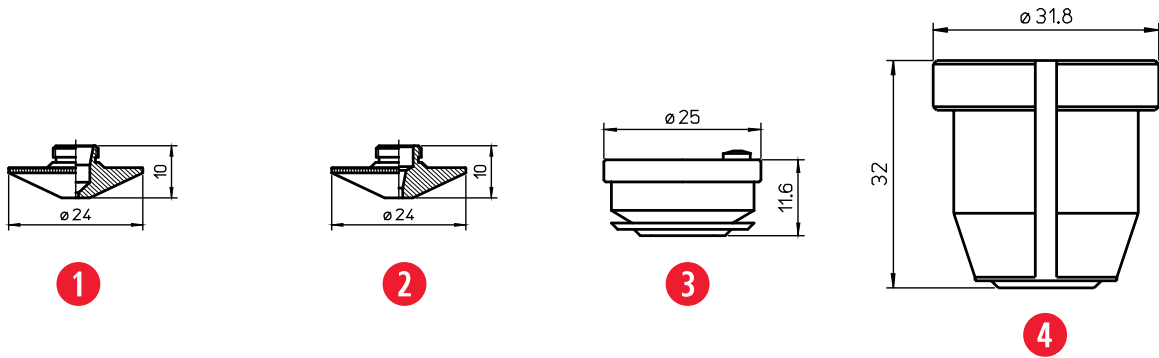
[Dimensions in Inches (mm)]



POS	MATE PART NUMBER	OEM CODE	ALTERNATE CODE	PART DESCRIPTION
1	MLN00868	281813 , P0589-424-00008	L405	SINGLE - 0.8MM NOZZLE
	MLN00869	281789 , P0589-426-00010	L406	SINGLE - 1.0MM NOZZLE
	MLN00569	281561 , 778550	L404	SINGLE - 1.2MM NOZZLE
	MLN00870	281814 , 149957	L407	SINGLE - 1.5MM NOZZLE
	MLN00871	P0589-428-00020	L408	SINGLE 0 2.0MM NOZZLE
	MLN00872	281813 , P0589-424-00008	L405X	SINGLE 0.8MM NOZZLE CHROME
	MLN00873	281789 , P0589-426-00010	L406X	SINGLE - 1.0MM NOZZLE CHROME
	MLN00874	281561 , 778550 , P0589-425-00012	L404X	SINGLE - 1.2MM NOZZLE CHROME
	MLN00875	281814 , 149957	L407X	SINGLE - 1.5MM NOZZLE CHROME
	MLN00876	P0589-428-00020	L408X	SINGLE - 2..0MM NOZZLE CHROME

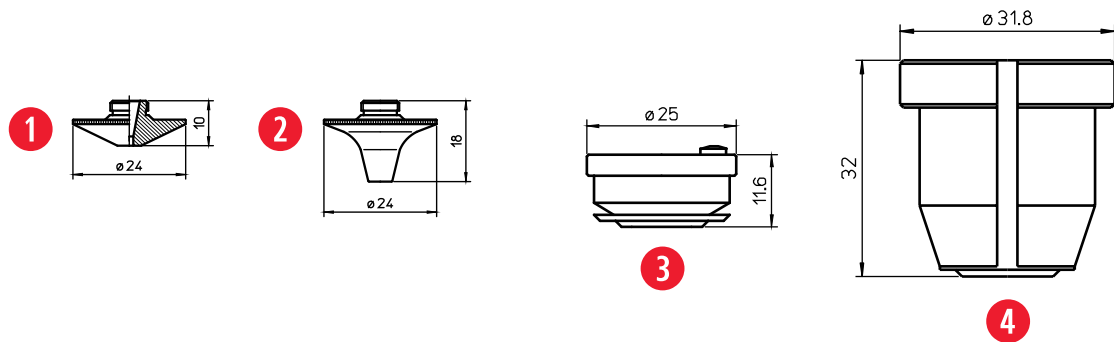
[Dimensions in Inches (mm)]





POS	MATE PART NUMBER	OEM CODE	ALTERNATE CODE	PART DESCRIPTION
1	MLN00314	124561 , 237499	L18	SINGLE - 0.8MM NOZZLE
	MLN00316	124562 , 237498	L19	SINGLE - 1.0MM NOZZLE
	MLN00571	9669809	L361	SINGLE - 1 .2MM NOZZLE
	MLN0057110	9669809	L361	SINGLE - 1 .2MM NOZZLE (10PK)
	MLN01946	236497	L795	SINGLE - 1.4MM NOZZLE
	MLN00318	237500	L26	SINGLE - 1 .5MM NOZZLE
	MLN00325	237501	L796	SINGLE - 1.7MM NOZZLE
	MLN00319	1253211, 237503	L24	SINGLE - 2.0MM NOZZLE
	MLN00877	126933, 124564	L797	SINGLE - 2.3MM NOZZLE
	MLN00320	237504	L25	SINGLE - 3.0MM NOZZLE
	MLN00315	352280	L18X	SINGLE - 0.8MM NOZZLE CHROME
	MLN0031510	352280	L3018X	SINGLE - 0.8MM NOZZLE CHROME (10PK)
	MLN00317	352281	L19X	SINGLE - 1.0MM NOZZLE CHROME
	MLN0031710	352281	L3019X	SINGLE - 1.0MM NOZZLE CHROME (10PK)
	MLN00599	352282	L361X	SINGLE - 1.2MM NOZZLE CHROME
	MLN0059910	352282	L30361X	SINGLE - 1.2MM NOZZLE CHROME (10PK)
	MLN00878	352288	L26X	SINGLE - 1.5MM NOZZLE CHROME
	MLN01947		L796X	SINGLE - 1.8MM NOZZLE CHROME
	MLN0194710	355284	L30796X	SINGLE - 1.8MM NOZZLE CHROME
	MLN00879		L24X	SINGLE - 2.0MM NOZZLE CHROME
MLN00880	124564 , 89100815	L797X	SINGLE - 2.3MM NOZZLE CHROME	
MLN00881	237504	L25X	SINGLE - 3.0MM NOZZLE CHROME	
2	MLN00320	237497	L20	SINGLE - 1.4MM HD NOZZLE
	MLN00322	352283	L20X	SINGLE - 1.4MM HD NOZZLE CHROME
	MLN0032210	352283	L30795X	SINGLE - 1.4MM HD NOZZLE CHROME (10PK)
3	MLN00351	258809 , 243839 , 247894	AL38	HOLDER - CERAMIC
4	MLN00356	254493 , 260432	AL108	HOLDER - CERAMIC

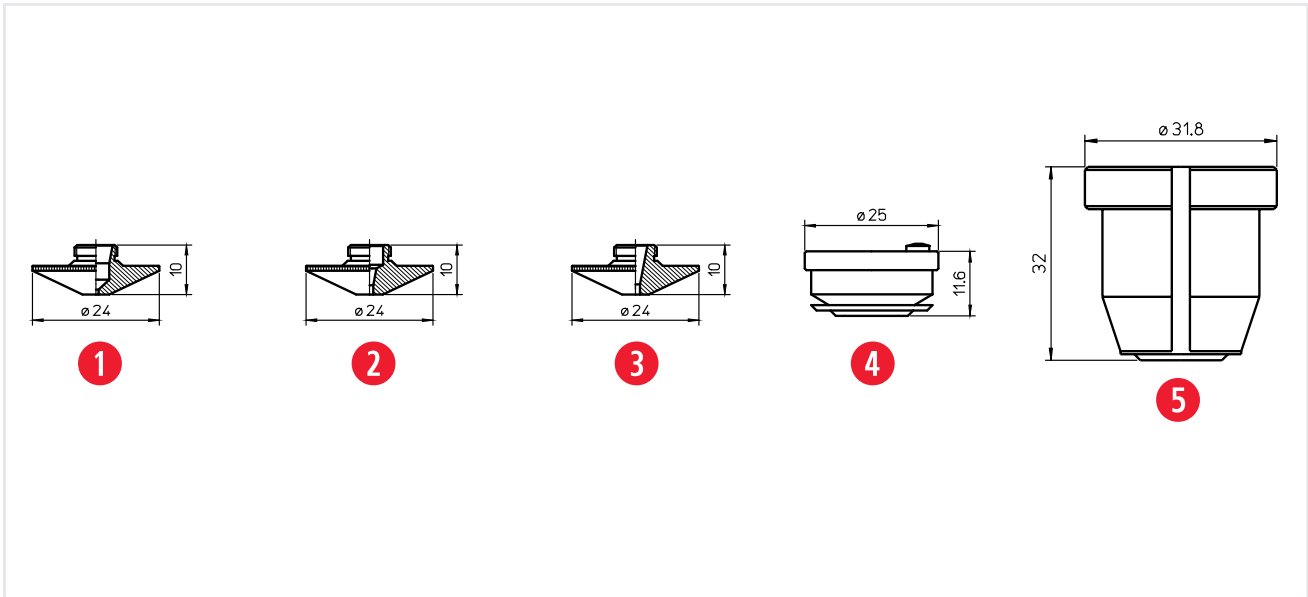
[Dimensions in Inches (mm)]



POS	MATE PART NUMBER	OEM CODE	ALTERNATE CODE	PART DESCRIPTION
1	MLN00323	237497/S	L258	SINGLE - 1.4MM HD NOZZLE
	MLN00325	237501	L21	SINGLE - 1.7MM HD NOZZLE
	MLN00327	237502 , 1253211	L168	SINGLE - 2.0MM HD NOZZLE
	MLN00300	126933	L76	SINGLE - 2.3MM HD NOZZLE
	MLN00322		L185	SINGLE - 2.5MM HD NOZZLE
	MLN00330	942742	L360	SINGLE - 2.7MM HD NOZZLE
	MLN00334	237504	L396	SINGLE - 3.0MM HD NOZZLE
	MLN00324	237497/S	L258X	SINGLE - 1.4MM HD NOZZLE CHROME
	MLN00326	352284	L21X	SINGLE - 1.7MM HD NOZZLE CHROME
	MLN00328	352287, 1253212	L168X	SINGLE - 2.0MM HD NOZZLE CHROME
	MLN0032810	237502, 1253212	L30168X	SINGLE - 2.0MM HD NOZZLE CHROME (10PK)
	MLN00331	352285	L76X	SINGLE - 2.3MM HD NOZZLE CHROME
	MLN0033110	352285	L3076X	SINGLE - 2.3MM HD NOZZLE CHROME (10PK)
	MLN00882		L185X	SINGLE - 2.5MM HD NOZZLE CHROME
	MLN00391	352286	L360X	SINGLE - 2.7MM HD NOZZLE CHROME
	MLN0039110	352286	L30360X	SINGLE - 2.7MM HD NOZZLE CHROME (10PK)
	MLN00883		L396X	SINGLE - 3.0MM HD NOZZLE CHROME
	2	MLN01948	1277773	L1550
MLN01949		1277771	L1551	SINGLE - 1.0MM NOZZLE
MLN01950		1277774	L1552	SINGLE - 1.2MM NOZZLE
MLN01951		1277776	L1553	SINGLE - 1.4MM NOZZLE
MLN01952		1277779	L1554	SINGLE - 1.7MM NOZZLE
MLN01953		1277780	L1555	SINGLE - 2.0MM NOZZLE
MLN01954		1277781	L1556	SINGLE - 2.3MM NOZZLE
MLN01955		1277782	L1557	SINGLE - 2.7MM NOZZLE
3	MLN00351	258809 , 243839 , 247894	AL38	HOLDER - CERAMIC
4	MLN00356	254493 , 260432	AL108	HOLDER - CERAMIC

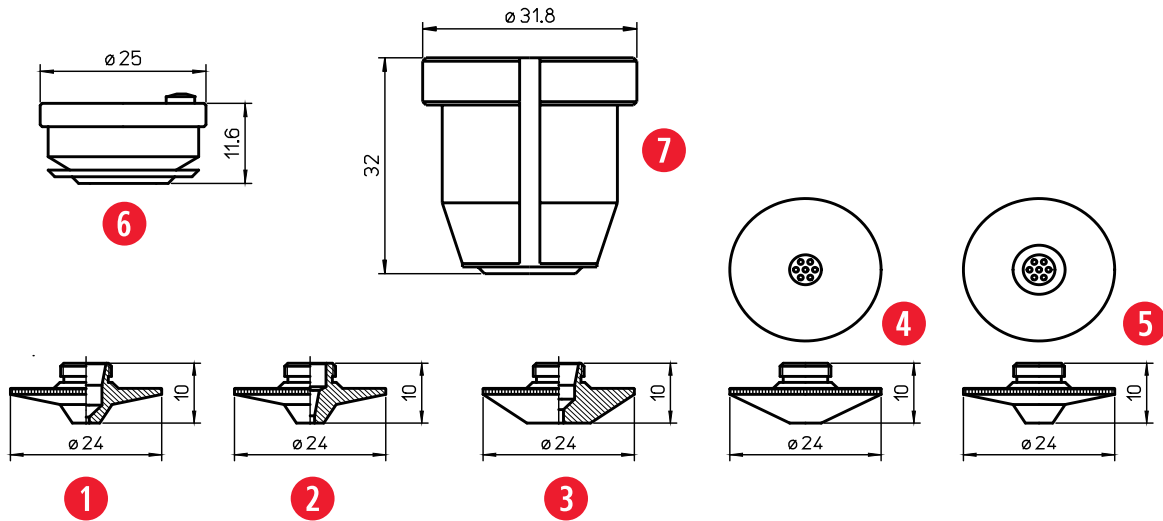
[Dimensions in Inches (mm)]





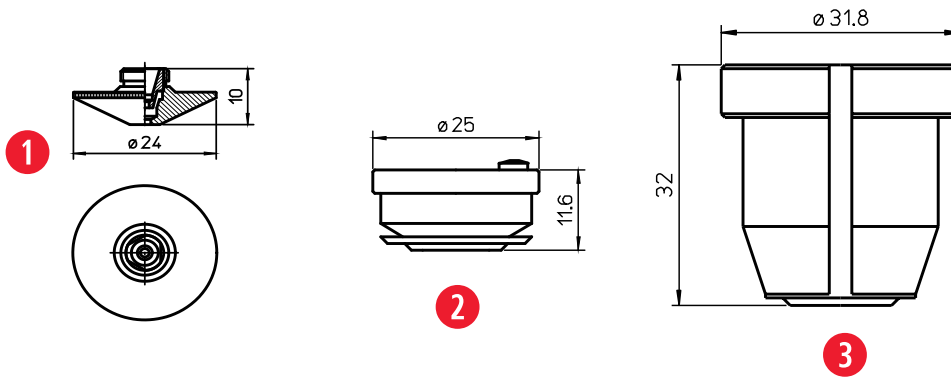
POS	MATE PART NUMBER	OEM CODE	ALTERNATE CODE	PART DESCRIPTION
1	MLN01956	352280	L18XH	SINGLE - 0.8MM NOZZLE SPECIAL CHROME
	MLN01957	352281	L19XH	SINGLE - 1.0MM NOZZLE SPECIAL CHROME
	MLN01958	352282	L361XH	SINGLE - 1.2MM NOZZLE SPECIAL CHROME
2	MLN01959	352283	L20XH	SINGLE 1.4MM HD NOZZLE SPECIAL CHROME
3	MLN01960		L258XH	SINGLE - 1.4MM HD NOZZLE SPECIAL CHROME
	MLN01961	1253211, 352284	L21XH	SINGLE - 1.7MM HD NOZZLE SPECIAL CHROME
	MLN01962	1253212, 352287	L168XH	SINGLE - 2.0MM HD NOZZLE SPECIAL CHROME
	MLN00886	352285	L76XH	SINGLE - 2.3MM HD NOZZLE SPECIAL CHROME
	MLN01963	352286	L185XH	SINGLE - 2.5MM HD NOZZLE SPECIAL CHROME
	MLN01964	352286	L360XH	SINGLE - 2.7MM HD NOZZLE SPECIAL CHROME
	MLN01965		L396XH	SINGLE - 3.0MM HD NOZZLE SPECIAL CHROME
4	MLN00351	258809 , 243839 , 247894	AL38	HOLDER - CERAMIC
5	MLN00356	254493 , 260432	AL108	HOLDER - CERAMIC

[Dimensions in Inches (mm)]



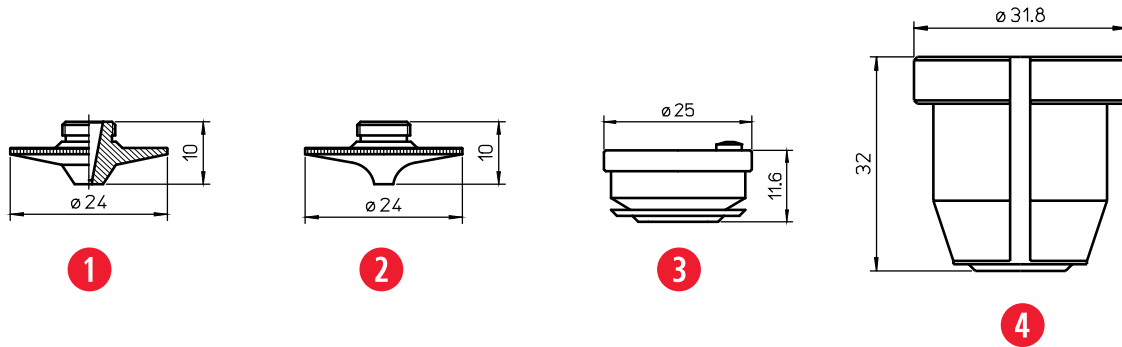
POS	MATE PART NUMBER	OEM CODE	ALTERNATE CODE	PART DESCRIPTION
1	MLN00310	215780	L2	SINGLE - 0.8MM NOZZLE
	MLN00311	087658	L11	SINGLE - 1.0MM NOZZLE
	MLN00884	215780	L2X	SINGLE - 0.8MM NOZZLE CHROME
	MLN00885	087658	L11X	SINGLE - 1.0MM NOZZLE CHROME
2	MLN00312	088894	L1	SINGLE - 1.4MM HD NOZZLE
	MLN00313	217867	L12	SINGLE - 1.7MM HD NOZZLE
3	MLN01966		L798	SINGLE - 1.0MM NOZZLE
	MLN00335	088893	L13	SINGLE - 1.5MM NOZZLE
	MLN00336	221781	L68	SINGLE - 2.0MM NOZZLE
	MLN00337	235592	L230	SINGLE - 3.0MM NOZZLE
4	MLN00390	237872	L495	SINGLE 0.8MM SHOWER NOZZLE
5	MLN00389	217976	L496	SINGLE 0.8MM SHOWER NOZZLE
6	MLN00351	258809 , 243839 , 247894	AL38	HOLDER - CERAMIC
7	MLN00356	254493 , 260432	AL108	HOLDER - CERAMIC

[Dimensions in Inches (mm)]



POS	MATE PART NUMBER	OEM CODE	ALTERNATE CODE	PART DESCRIPTION
1	MLN01967		L640	DOUBLE - 0.8MM NOZZLE
	MLN01968		L641	DOUBLE - 1.0MM NOZZLE
	MLN01969		L648	DOUBLE - 1.2MM NOZZLE
	MLN01970		L642	DOUBLE - 1.4MM NOZZLE
	MLN01971		L643	DOUBLE - 1.7MM NOZZLE
	MLN01972		L644	DOUBLE - 2.0MM NOZZLE
	MLN01973		L645	DOUBLE - 2.3MM NOZZLE
	MLN01974		L646	DOUBLE 2.7MM NOZZLE
	MLN01975		L647	DOUBLE - 3.0MM NOZZLE
	MLN01976		L649	DOUBLE - 4.0MM NOZZLE
	MLN00534		L640X	DOUBLE - 0.8MM NOZZLE CHROME
	MLN00561		L641X	DOUBLE - 1.0MM NOZZLE CHROME
	MLN00547		L648X	DOUBLE - 1.2MM NOZZLE CHROME
	MLN00544		L642X	DOUBLE - 1.4MM NOZZLE CHROME
	MLN00562	352284	L643X	DOUBLE - 1.7MM NOZZLE CHROME
	MLN00549		L644X	DOUBLE - 2.0MM NOZZLE CHROME
	MLN00563		L645X	DOUBLE - 2.3MM NOZZLE CHROME
	MLN00564		L646X	DOUBLE - 2.7MM NOZZLE CHROME
	MLN00565		L647X	DOUBLE - 3.0MM NOZZLE CHROME
	MLN01977		L649X	DOUBLE - 4.0MM NOZZLE CHROME
2	MLN00351	258809 , 243839 , 247894	AL38	HOLDER - CERAMIC
3	MLN00356	254493 , 260432	AL108	HOLDER - CERAMIC

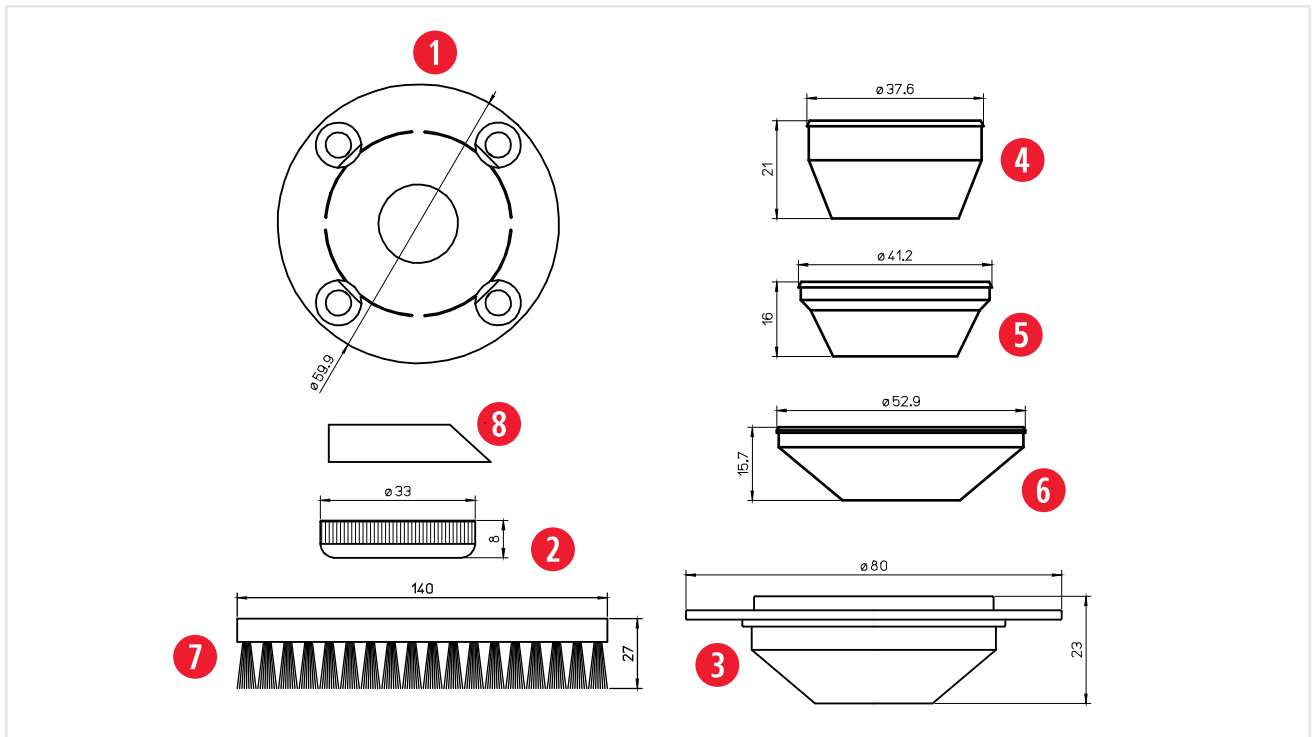
[Dimensions in Inches (mm)]



POS	MATE PART NUMBER	OEM CODE	ALTERNATE CODE	PART DESCRIPTION
1	MLN00338		L226	SINGLE - 0.8MM HD NOZZLE
	MLN00339		L181	SINGLE - 1.0MM HD NOZZLE
	MLN00340		L182	SINGLE - 1.4MM HD NOZZLE
	MLN00341		L227	SINGLE - 1.7MM HD NOZZLE
	MLN00342		L313	SINGLE - 2.3MM HD NOZZLE
2	MLN00886	352285	L720	SINGLE - 2.3MM HD NOZZLE SPECIAL
	MLN00887		L721	SINGLE - 2.5MM HD NOZZLE SPECIAL
	MLN00888		L722	SINGLE - 2.7MM HD NOZZLE SPECIAL
3	MLN00351	258809 , 243839 , 247894	AL38	HOLDER - CERAMIC
4	MLN00356	254493 , 260432	AL108	HOLDER - CERAMIC

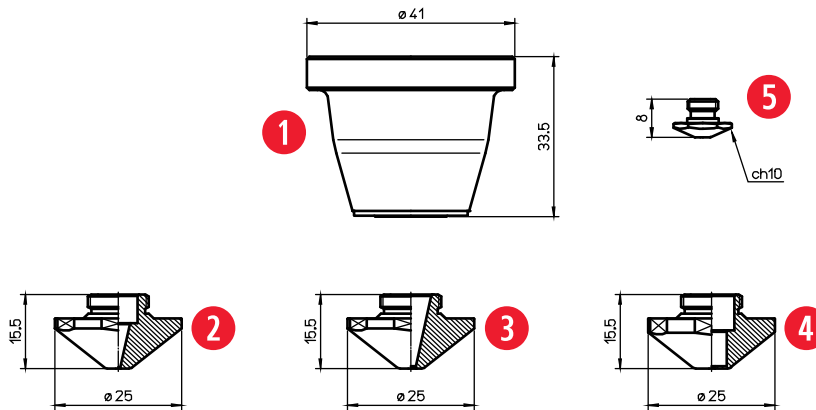
[Dimensions in Inches (mm)]





POS	MATE PART NUMBER	OEM CODE	ALTERNATE CODE	PART DESCRIPTION
1	MLN00350	234485	AL70	BREAK-AWAY
2	MLN01005	216066	AL250	SIGNBOARD
3	MLN00352	216065	AL19	COVER - PTFE
4	MLN00353	256153 , 955826	AL47	WHITE COVER - PTFE
	MLN01978	256153 , 955826	AL347	BLACK COVER - PTFE
5	MLN00354	254496	AL36	COVER - PTFE
6	MLN00355	225286	AL41	COVER - PTFE
7	MLN01006	0353202 , 900594	AL272	BRUSH
8	MLN01008	256184	256184	BLOW TUBE

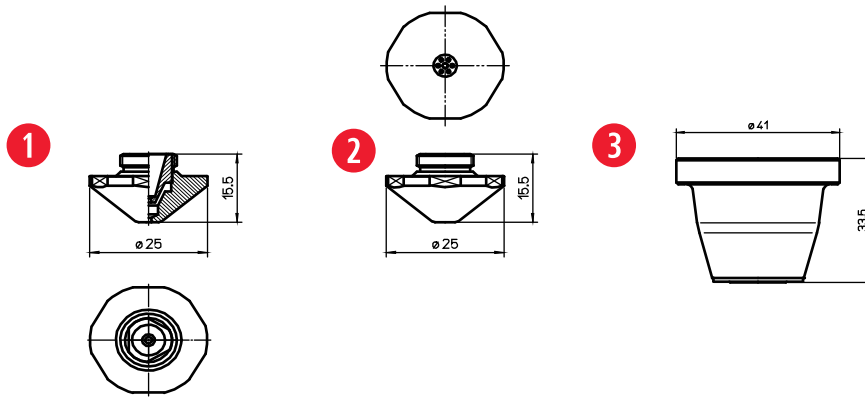
[Dimensions in Inches (mm)]



POS	MATE PART NUMBER	OEM CODE	ALTERNATE CODE	PART DESCRIPTION
1	MLN01326	1755673, 1349171, 1591594	AL410	HOLDER - AUTOCHANGER - CERAMIC
2	MLN01046	1324858	L1270	SINGLE - 0.8MM NOZZLE EAA
	MLN0104610	1324858	L501270	SINGLE - 0.8MM NOZZLE EAA (10PK)
	MLN01047	1324860	L1272	SINGLE - 1.0MM NOZZLE EAA
	MLN0104710	1324860	L501272	SINGLE - 1.0MM NOZZLE EAA (10PK)
	MLN01048	1324861	L1273	SINGLE - 1.2MM NOZZLE EAA
	MLN0104810	1324861	L501273	SINGLE - 1.2MM NOZZLE EAA (10PK)
	MLN01049	1324863	L1275	SINGLE - 1.4MM NOZZLE EAA
	MLN0104910	1324863	L501275	SINGLE - 1.4MM NOZZLE EAA (10PK)
	MLN01050	1324864	L1276	SINGLE - 1.7MM NOZZLE EAA
	MLN0105010	1324864	L501276	SINGLE - 1.7MM NOZZLE EAA (10PK)
	MLN01979	1324858	L1270XH	SINGLE - 0.8MM NOZZLE CHROME EAA SPECIAL
	MLN01054	1324860	L1272XH	SINGLE - 1.0MM NOZZLE CHROME EAA SPECIAL
	MLN01980	1324861	L1273XH	SINGLE - 1.2MM NOZZLE CHROME EAA SPECIAL
	MLN01055	1324863	L1275XH	SINGLE - 1.4MM NOZZLE CHROME EAA SPECIAL
	MLN01057	1324864	L1276XH	SINGLE - 1.7MM NOZZLE CHROME EAA SPECIAL
	3	MLN01051	1324865	L1277
MLN0105110		1324865	L501277	SINGLE - 2.0MM NOZZLE EAA (10PK)
MLN01052		1324866	L1278	SINGLE - 2.3MM NOZZLE EAA
MLN0105210		1324866	L501278	SINGLE - 2.3MM NOZZLE EAA (10PK)
MLN01053		1324867	L1279	SINGLE - 2.7MM NOZZLE EAA
MLN0105310		1324867	L501279	SINGLE - 2.7MM NOZZLE EAA (10PK)
MLN01056		1324865	L1277XH	SINGLE - 2.0MM NOZZLE CHROME EAA SPECIAL
MLN01058		1324867	L1279XH	SINGLE - 2.7MM NOZZLE CHROME EAA SPECIAL
4	MLN01981	1637264	L1260	SINGLE - NOZZLE ZAA-01
5	MLN01982	1304753, 1589610	L1700	SINGLE - 2.0MM EBM BLOW OFF NOZZLE

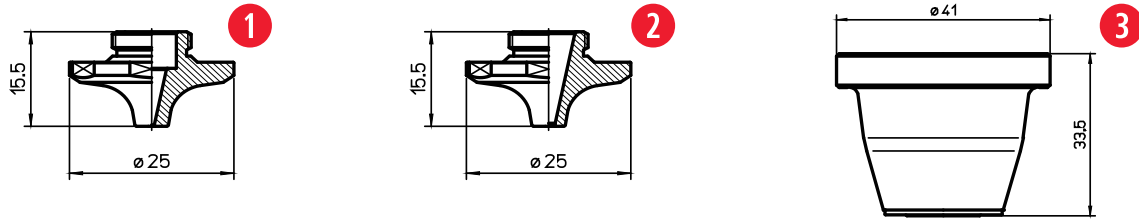
[Dimensions in Inches (mm)]





POS	MATE PART NUMBER	OEM CODE	ALTERNATE CODE	PART DESCRIPTION
1	MLN01983	1324858	L1308	DOUBLE - 0.8MM NOZZLE
	MLN01984	1324860	L1309	DOUBLE - 1.0MM NOZZLE
	MLN01327	1324861	L1310	DOUBLE - 1.2MM NOZZLE
	MLN01328	1324863	L1311	DOUBLE - 1.4MM NOZZLE
	MLN01329	1324864	L1312	DOUBLE - 1.7MM NOZZLE
	MLN01985	1324858	L1308XH	DOUBLE - 0.8MM NOZZLE CHROME SPECIAL
	MLN01333	1324860	L1309XH	DOUBLE - 1.0MM NOZZLE CHROME SPECIAL
	MLN01334	1324861	L1310XH	DOUBLE - 1.2MM NOZZLE CHROME SPECIAL
	MLN01335	1324863	L1311XH	DOUBLE - 1.4MM NOZZLE CHROME SPECIAL
	MLN01336	1324864, 1851619	L1312XH	DOUBLE - 1.7MM NOZZLE CHROME SPECIAL
	MLN01330	1324865, 1851620	L1313	DOUBLE - 2.0MM NOZZLE
	MLN01331	1324866, 1851651	L1314	DOUBLE - 2.3MM NOZZLE
	MLN01332	1324867	L1315	DOUBLE - 2.7MM NOZZLE
	MLN01337	1324865	L1313XH	DOUBLE - 2.0MM NOZZLE CHROME SPECIAL
	MLN01338	1324866	L1314XH	DOUBLE - 2.3MM NOZZLE CHROME SPECIAL
MLN01339	1324867	L1315XH	DOUBLE - 2.7MM NOZZLE CHROME SPECIAL	
2	MLN01986		L1281	SINGLE - 1.2MM SHOWER NOZZLE
3	MLN01326	1591594, 1755673, 1349171	AL410	HOLDER - AUTO CHANGER - CERAMIC

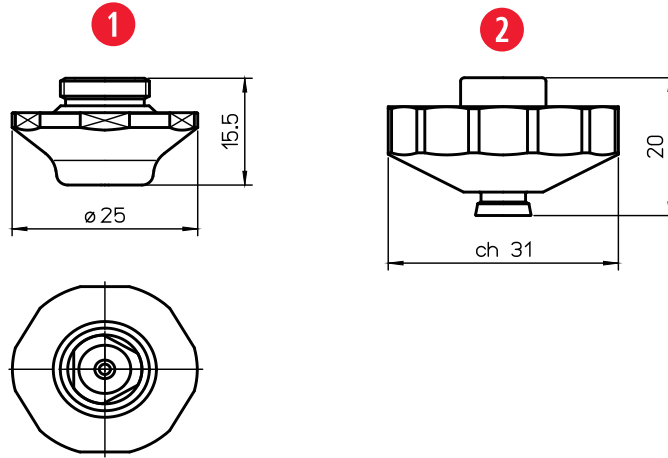
[Dimensions in Inches (mm)]



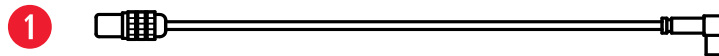
POS	MATE PART NUMBER	OEM CODE	ALTERNATE CODE	PART DESCRIPTION
1	MLN01987	1373324	L1500	SINGLE - 0.8MM NOZZLE EAB
	MLN01988	1373325	L1501	SINGLE - 1.0MM NOZZLE EAB
	MLN01989	1373326	L1502	SINGLE - 1.2MM NOZZLE EAB
	MLN01990	1373327	L1503	SINGLE - 1.4MM NOZZLE EAB
	MLN01991	1373328	L1504	SINGLE - 1.7MM NOZZLE EAB
2	MLN01992	1373329	L1505	SINGLE - 2.0MM NOZZLE EAB
	MLN01993	1373330	L1506	SINGLE - 2.3MM NOZZLE EAB
	MLN01994	1373331	L1507	SINGLE - 2.7MM NOZZLE EAB
3	MLN01326	1755673 , 1349171	AL410	HOLDER - AUTO CHANGER - CERAMIC

[Dimensions in Inches (mm)]





POS	MATE PART NUMBER	OEM CODE	ALTERNATE CODE	PART DESCRIPTION
1	MLN01319	1809091	L1885	DOUBLE - 6.0MM NOZZLE EAQ
	MLN01320	1809421	L1886	DOUBLE - 7.5MM NOZZLE EAQ
	MLN01321	1886199	L1887	DOUBLE - 9.5MM NOZZLE EAQ
2	MLN01322	1774018	L1800	SINGLE - D1.4MM NOZZLE EFL
	MLN01323	1838745	L1801	SINGLE - D1.7MMN NOZZLE EFL
	MLN01324	1774020	L1802	SINGLE - D2.0MM NOZZLE EFL
	MLN01325	1774092	L1803	SINGLE - D2.3MM NOZZLE EFL



POS	MATE PART NUMBER	OEM CODE	ALTERNATE CODE	PART DESCRIPTION
1	MLN01995	0351086-S0492-001-00000	351086	ORIG. ELECTRODE CABLE PRECITEC® KE 130 gw/TT

[Dimensions in Inches (mm)]

PERFORMAX - STANDARD ABSORPTION LENSES

MATE PART NUMBER	OEM CODE	TYPE	DIAMETER	FOCAL LENGTH	EDGE THICKNESS
MLL00004	120216	MENISCUS	1.5" (38.1mm)	5.0" (127mm)	0.354" (9.0mm)
MLL00005	698637	MENISCUS	1.5" (38.1mm)	7.5" (190.5mm)	0.354" (9.0mm)
MLL00015	0346104	MENISCUS	1.5" (38.1mm)	3.75" (95.3mm)	0.290" (7.4mm)
MLL00006	088114, 406294	MENISCUS	1.5" (38.1mm)	5.0" (127mm)	0.290" (7.4mm)
MLL00007	097517, 702232	MENISCUS	1.5" (38.1mm)	7.5" (190mm)	0.290" (7.4mm)
MLL00073	380117 W/O CHIP	MENISCUS	1.57" (39.9mm)	9.8" (250mm)	0.295" (8.5mm)
MLL00074	1772319 W/O CHIP	MENISCUS	1.57" (39.9mm)	5.1" (130mm)	0.295" (8.5mm)
MLL00075	177805 W/O CHIP	MENISCUS	1.57" (39.9mm)	9.8" (250mm)	0.295" (8.5mm)
MLL00076	1330448 W/O CHIP	MENISCUS	1.96" (50.0mm)	6.9" (175mm)	0.295" (8.5mm)
MLL00078	1525872/1795719 W/O CHIP	MENISCUS	1.96" (50.0mm)	6.9" (175mm)	0.295" (8.5mm)
MLL00077	1330443 W/O CHIP	MENISCUS	1.96" (50.0mm)	9.8" (250mm)	0.295" (8.5mm)
MLL00079	1796128 W/O CHIP	MENISCUS	1.96" (50.0mm)	9.8" (250mm)	0.295" (8.5mm)

PEAK - LOW ABSORPTION LENSES

MATE PART NUMBER	OEM CODE	TYPE	DIAMETER	FOCAL LENGTH	EDGE THICKNESS
MLP00006	088114	MENISCUS	1.5" (38.1mm)	5.0" (127mm)	0.290" (7.4mm)
MLP00007	097517	MENISCUS	1.5" (38.1mm)	7.5" (190mm)	0.290" (7.4mm)
MLP00004	120216	MENISCUS	1.5" (38.1mm)	5.0" (127mm)	0.354" (9.0mm)
MLP00005	698637	MENISCUS	1.5" (38.1mm)	7.5" (190.5mm)	0.354" (9.0mm)

BLACK MAGIC- LOW ABSORPTION LENSES

MATE PART NUMBER	OEM CODE	TYPE	DIAMETER	FOCAL LENGTH	EDGE THICKNESS
MLB00006	088114	MENISCUS	1.5" (38.1mm)	5.0" (127mm)	0.290" (7.4mm)
MLB00007	097517	MENISCUS	1.5" (38.1mm)	7.5" (190mm)	0.290" (7.4mm)
MLB00004	120216	MENISCUS	1.5" (38.1mm)	5.0" (127mm)	0.354" (9.0mm)
MLB00005	698637	MENISCUS	1.5" (38.1mm)	7.5" (190.5mm)	0.354" (9.0mm)

FIBERMAX - FIBER LASER LENSES

MATE PART NUMBER	OEM CODE	TYPE	DIAMETER	FOCAL LENGTH	EDGE THICKNESS
MLF00014	1641439	FUSED SILICA	39.8mm	127mm	8.0mm
MLF00015	164 473	FUSED SILICA	50mm	219mm	2.8mm

FIBERSHIELD - FIBER LASER PROTECTIVE WINDOWS

MATE PART NUMBER	OEM CODE	TYPE	DIAMETER	FOCAL LENGTH	EDGE THICKNESS
MLW00005	1614767, 551206, 15006704, TR5310	FUSED SILICA	34.0mm		5.0mm
MLW00007	759720, 0158011532	FUSED SILICA	55.1mm		1.5mm
MLW00016	632930117, 766719, P0795-1201-00002	FUSED SILICA	30mm		5.0mm
MLW00025	1792250, 632811-117	FUSED SILICA	24mm		5.0mm

OPTICS CARE

MATE PART NUMBER	DESCRIPTION
MLN00570	1.5" Polarizer Filter
MLN02004	2.0" Polarizer Filter
MLN01105	Cleaning Holder w/ 1.5" Polarizer Filter
MLN01106	Cleaning Holder w/ 2.0" Polarizer Filter
MLN01104	Wet Cleaning Wipes - 24 Pack
MLN01996	Optical Cleaning Fluid - Spray
MLN01997	Lens Cleaning Paper - 50 Sheets
MLN01998	4x4 Polyester Wipes - 100 Pack
MLN02000	Lens Cleaning Swabs - 25 Pack
MLN01483	Lens / Mirror Cleaning Base
MLN00582	Lensmate Cleaning Paper - Booklet 4x6 Sheets

[Dimensions in Inches (mm)]



SHOP 24/7 AT shop.mate.com

Search

Cart
0 item(s) in cart total: \$0 [View](#)
[Add](#)
Hello, Guest! [Login](#)

Category

- Laser Technologies
 - CO2 Lenses & Mirrors
 - Fiber Lenses & Windows
 - CO2 & Fiber Laser Consumables
- Press Brake Tooling
 - Blivet Tang Style
 - European Precision Style
 - Wire Turnoff Style
 - CleanDend™
 - Press Brake Accessories

Home > Laser Technologies

Laser Technologies

Mate offers a complete range of state-of-the-art CO2 and Fiber Laser optics and consumables to meet virtually any laser need. We offer over 2,000 competitively priced parts including lenses, windows, nozzles, cables and more. Our product line includes:

CO2 Lasers:

- Performax™, Peak™ and Black Magic™ to meet a wide variety of performance needs.
- Tribeam™ mirrors that offer maximum reflectivity and durability for continuous service life.

Fiber Lasers:

- Fibermax™ lenses
- Fibershield™ windows

Consumables

- FLOWMASTER™ Nozzles that provide superior cutting control for improved cut quality
- FLOWMASTER™ Accessories
- LENSMAATE™ Maintenance Supplies

Available for all popular CO2 laser machines. Mate CO2 laser products are backed by our 100% satisfaction guarantee.

SUB-CATEGORIES

- CO2 Lenses & Mirrors
- Fiber Lenses & Windows
- CO2 & Fiber Laser Consumables**

Mate Precision Tooling is not affiliated with any named original equipment manufacturer. All names, part numbers and trademarks are the property of their respective owners and are used for identification purposes only. All products in this catalog are made for and/or by Mate Precision Tooling.

1295 Lund Boulevard • Anoka, Minnesota 55303 • USA
 (763) 421-0230 • (800) 328-6492
 En Español: +1 (763) 570-3700
mate.com

Copyright 2017 Mate Precision Tooling. All Rights Reserved.

Wide Selection for all OEMs

- CO₂ Lenses
- Fiber Lenses
- Consumables

Purchase orders and all major credit cards accepted.



shop.mate.com

[Dimensions in Inches (mm)]

NOTES

[Dimensions in Inches (mm)]



[Dimensions in Inches (mm)]





MATE PRECISION TECHNOLOGIES GLOBAL COVERAGE

WORLDWIDE HEADQUARTERS:

1295 Lund Boulevard, Anoka, Minnesota 55303 USA
Tel +1.763.421.0230 mate.com

orders@mate.com