



## High Performance Laser Consumables

### PRECITEC<sup>®</sup>

*For Adige, Baykal, Durma, Ermaksan, Finn Power, GHT, HK, IPG, Mazak, Yawei and Salvagnini Systems*

#### CO2 & FIBER LASER

- NOZZLES
- OPTICS
- ACCESSORIES



Headquartered in Anoka, Minnesota, in a 300,000 sq. ft. (28,000m<sup>2</sup>) state-of-the-art facility.

## SEVEN DECADES OF EXCELLENCE

Founded in 1962, Mate is a world-class manufacturer of superior solutions for the metal cutting and metal forming industries. We manufacture workholding systems, CNC punch press tooling, and offer a complete line of press brake tooling and laser consumables. Mate products and services are available worldwide, fully supported by more than 80 dealers in every industrialized country.

## PERSONAL, RESPECTFUL RELATIONSHIPS

Mate does business with people, not companies. Our connection to you is personal. Mate's team of manufacturing and metalworking professionals knows what you go through. We know what it's like to compete for that next job, manage deadlines or even need a rescue. With Mate you have a partner that respects your knowledge and is dedicated to helping you succeed.

## YOUR GO-TO SOURCE

Serving our customers is at the core of who we are. In your plant or on the phone, we're up for whatever metalworking challenges you face. Your Mate representatives are experts who know from experience what happens on the shop floor and provide our legendary in-field support. They speak your language, fully capable of helping you improve processes and solve problems. Mate customer service is ready to assist with fast quotes, guiding your order on to our top-notch machinists and shipping pros.

## GET INSPIRED!

With our vast knowledge and broad product range we inspire innovative thinking. Our customer's projects can be seen around the world: from unique building façades thought to be impossible to make, to a new way to add strength to thin material. The possibilities are endless, so think big, bold and beyond.

## WE'VE GOT YOU COVERED

Dedicated to quality in every aspect of our business, Mate offers an extensive standard product line that can be delivered with same day or next day service. All Mate products are backed with our industry leading 100% customer satisfaction guarantee.



## MATE'S MISSION AND PROMISE TO YOU:

Mate's mission is to personally **Respect, Support** and **Inspire** metalworking professionals around the world with high-quality products and services for factory productivity.

*[Dimensions in Inches (mm)]*



## PERFORMAX™

Performax™ CO2 Laser Lenses (MLL Series)

MATE PERFORMAX™ – the production lens for consistent CO2 laser performance

- Ideal for general laser cutting 4Kw and less
- Rated at less than 0.20% absorption, among the lowest standard lenses on the market
- Superior polishing for a smoother, easier to clean surface. Polished to a 20/10 scratch/dig specification to resist spatter and stay clean longer



## PEAK™

Low Absorption CO2 Laser Lenses (MLP Series)

The difference is clear: MATE PEAK™ low absorption, high performance CO2 laser lenses for demanding applications or high power cutting

- Less than 0.15% absorption offers improved cut quality, consistency and longer lens life
- Helium Neon (HeNe) laser beam compatible for better part alignment
- Proprietary clear coating offers superior lens stability, and allows for lens inspection and stress analysis
- Reduces optical distortion and focal length shift



## BLACKMAGIC™

Low Absorption CO2 Laser Lenses (MLB Series)

- Increased Performance and Versatility: Produce improved cuts on aluminum, stainless and other materials
- Coating: Black Magic lenses have the most durable coating in the industry and are spatter resistant
- Impervious to humidity: Work well regardless of humidity for assured efficiency
- Cost Savings: Usually last twice as long or more as standard lenses



## 1 MICRON OPTICS

Fiber Laser Optics (MLF and MLW Series)

- Lower absorption for maximum cut quality and extended optic life
- Clear coating offers superior lens stability
- Consistent performance: manufactured to exceptionally high tolerances for consistent performance and uniform cutting
- Approved by leading OEMs



## FLOWMASTER™

Nozzles and Nozzle Holders (MLN Series)

MATE FLOWMASTER™ nozzles are available in single and double style

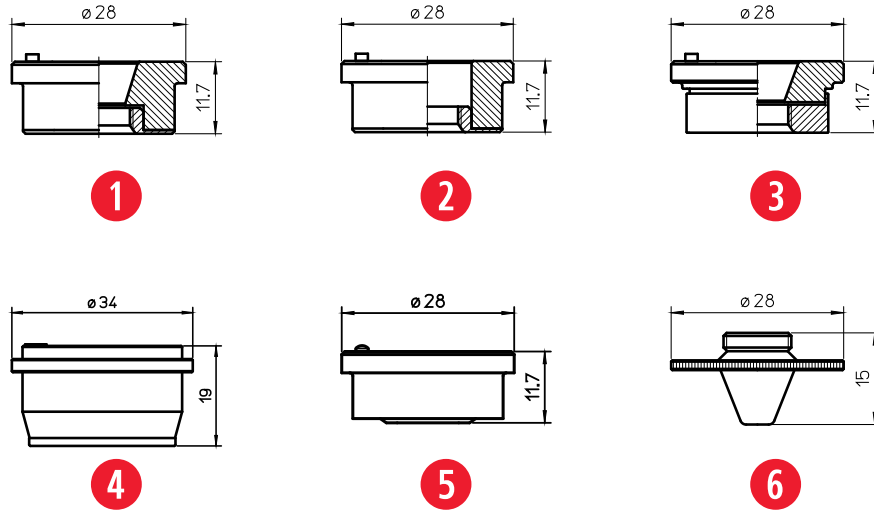
- Highest quality copper alloy, stainless and hard stainless material
- Precision manufactured to tight tolerances of +/- 0-10 microns
- Micro-finished internal surfaces improve airflow
- Available for most OEM laser machine manufacturers
- Mate® carries over 2000 types of laser MLN nozzles and nozzle holders
- Manufactured to exacting standards to eliminate unnecessary variables and costly cutting problems for maximum productivity



[Dimensions in Inches (mm)]

# HIGH PERFORMANCE LASER CONSUMABLES PRECITEC

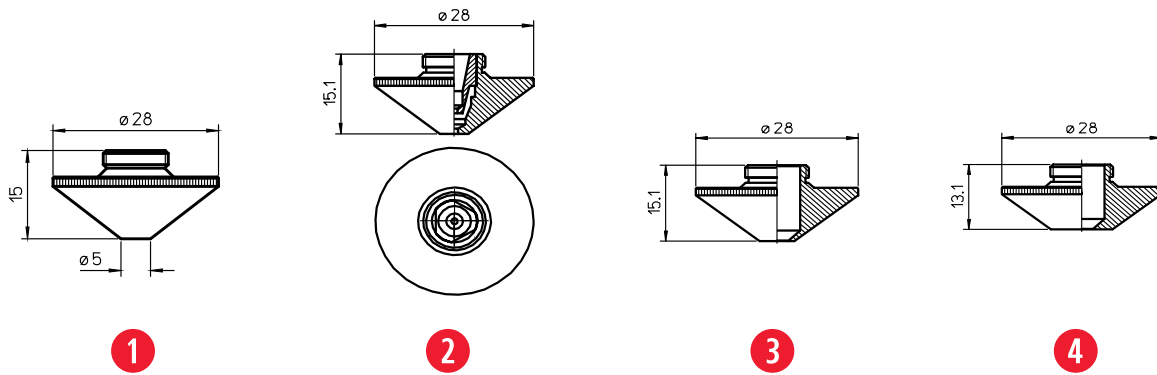
For Adige, Baykal Fiber, Durma, Ermaksan, Finn Power, GHT, IPG, Kimla, Mazak, Salvagnini, and Yawei Systems



POS	MATE PART NUMBER	OEM CODE	ALTERNATE CODE	PART DESCRIPTION
1	MLN01149	HPH-50202, P0571-1051-00001, 69303224, RZ6RT006250	AL355	ORIGINAL NOZZLE HOLDER KT B2" CON
	MLN01564	P0571-1051-00001, 2910022685, 69303224	AL495	NOZZLE HOLDER KT B2" CON <b>RECOMMENDED</b>
	MLN01238	P0571-1051-00001, 291002685	AL380	NOZZLE HOLDER KT B2" CON
2	MLN00400	281330, P0571-260-00001	AL23	ORIGINAL NOZZLE HOLDER KT B2"
	MLN00968	281330, P0571-260-00001	AL131	NOZZLE HOLDER KT B2" <b>RECOMMENDED</b>
	MLN01563	281330, P0571-260-00001	AL421	NOZZLE HOLDER KT B2"
3	MLN01139	P0571-260-00001	AL331	NOZZLE HOLDER KTB 2" CON
4	MLN02012		AL228	NOZZLE HOLDER
5	MLN02013	281518, P0571-265-00001	AL141	ORIGINAL NOZZLE HOLDER ITB 2"Z
6	MLN00403	281590, P0591-569-00008, P40-007141-004	L247	SINGLE - 0.8MM NOZZLE
	MLN00404	281331, P0591-561-00010, P40-007141-005	L162	SINGLE - 1.0MM NOZZLE
	MLN00405	281351, P0591-562-00012, 6930281351, P40-007141-006	L130	SINGLE - 1.2MM NOZZLE
	MLN00406	281352, P0591-563-00015, 6930281352, P40-007141-001	L131	SINGLE - 1.5MM NOZZLE
	MLN00407		L248	SINGLE - 1.7MM NOZZLE
	MLN00408	281353, P0591-564-00018, 6930281353, 9307258265, P40-007141-007	L153	SINGLE - 1.8MM NOZZLE
	MLN00409	281354, P0591-565-00020, P40-007141-002	L132	SINGLE - 2.0MM NOZZLE
	MLN00410	P40-007141-010	L154	SINGLE - 2.3MM NOZZLE
	MLN00411	281591, P0591-566-00025, P40-007141-003	L155	SINGLE - 2.5MM NOZZLE
	MLN01701	P40-007141-008	L249	SINGLE - 2.7MM NOZZLE
	MLN00412	P40-007141-009	L156	SINGLE - 3.0MM NOZZLE
	MLN00894	281590, P0591-569-00008, P40-007141-004	L247X	SINGLE - 0.8MM NOZZLE CHROME
	MLN00895	281331, P0591-561-00010, P40-007141-005	L162X	SINGLE - 1.0MM NOZZLE CHROME
	MLN00896	281351, P0591-562-00012, P40-007141-006	L130X	SINGLE - 1.2MM NOZZLE CHROME
	MLN00897	281352, P0591-563-00015, P40-007141-001	L131X	SINGLE - 1.5MM NOZZLE CHROME
	MLN00898		L248X	SINGLE - 1.7MM NOZZLE CHROME
	MLN00899	281353, P0591-564-00018, P40-007141-007	L153X	SINGLE - 1.8MM NOZZLE CHROME
	MLN00900	281354, P0591-565-00020, P40-007141-002	L132X	SINGLE - 2.0MM NOZZLE CHROME
	MLN00901	P40-007141-010	L154X	SINGLE - 2.3MM NOZZLE CHROME
	MLN00902	281591, P0591-566-00025, P40-007141-003	L155X	SINGLE - 2.5MM NOZZLE CHROME
	MLN01702	P40-007141-008	L249X	SINGLE - 2.7MM NOZZLE CHROME
MLN00903	P40-007141-009	L156X	SINGLE - 3.0MM NOZZLE CHROME	

# HIGH PERFORMANCE LASER CONSUMABLES PRECITEC

For Adige, Durma, Ermaksan, Finn Power, GHT, LVD, Mazak, Ermak, Salvagnini, and Yawei Fiber Laser Systems



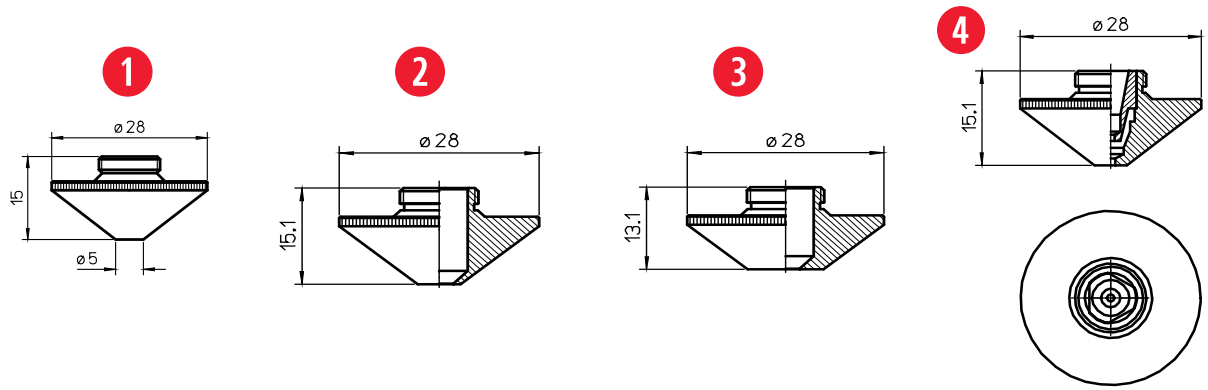
POS	MATE PART	OEM CODE	ALTERNATE CODE	PART DESCRIPTION
1	MLN02014	P40-003805-001, P0591-673-00008	L935	SINGLE - 0.8MM HD NOZZLE
	MLN00413	HG11-130, 281548, P40-003805-002, P0591-571-00010, 291002335, 055475	L234	SINGLE - 1.0MM HD NOZZLE
	MLN00414	281549, P0591-572-00012, 291002334, 055476IH, 055476	L235	SINGLE - 1.2MM HD NOZZLE
	MLN01703		L824	SINGLE - 1.4MM HD NOZZLE
	MLN00415	281463, P0591-573-00015, 291002355, 055477	L236	SINGLE - 1.5MM HD NOZZLE
	MLN00416	P0591-574-00018, 291002365, 055586	L237	SINGLE - 1.8MM HD NOZZLE
	MLN00417	281550, P0591-575-00020, 291002337, 055478	L238	SINGLE - 2.0MM HD NOZZLE
	MLN00418	291002338	L239	SINGLE - 2.3MM HD NOZZLE
	MLN00419	281551, P0591-576-00025, 291002339, 055479	L240	SINGLE - 2.5MM HD NOZZLE
	MLN01704	P40-003805-008	L936	SINGLE - 2.75MM HD NOZZLE
	MLN00420	P40-003805-009, P0591-577-00030	L241	SINGLE - 3.0MM HD NOZZLE
	MLN01705	P40-003805-010	L826	SINGLE - 3.2MM HD NOZZLE
	MLN01239	291000243, P40-003805-010	L827	SINGLE - 3.5MM HD NOZZLE
	MLN01706	P40-003805-012, P0591-578-00040	L828	SINGLE - 4.0MM HD NOZZLE
	MLN01707	P40-003805-013	L829	SINGLE - 4.5MM HD NOZZLE
2	MLN01655	06283300050	L1701	SINGLE - 1.5MM DOUBLE NOZZLE
	MLN01656	06283300060	L1702	SINGLE - 2.0MM DOUBLE NOZZLE
	MLN01657	06283300070	L1703	SINGLE - 2.5MM DOUBLE NOZZLE
	MLN01658	06283300080	L1704	SINGLE - 3.0MM DOUBLE NOZZLE
	MLN01659	06283300090	L1705	SINGLE - 3.5MM DOUBLE NOZZLE
	MLN01660	06283300100	L1706	SINGLE - 4.0MM DOUBLE NOZZLE
	MLN01661	06283300110	L1707	SINGLE - 4.5MM DOUBLE NOZZLE
3	MLN01651	06283300180	L1692	SINGLE - 4.0MM NOZZLE
	MLN01652	06283300120	L1696	SINGLE - 5.0MM NOZZLE
4	MLN01653	06283300210	L1693	SINGLE - 4.0MM NOZZLE
	MLN01654	06283300190	L1697	SINGLE - 5.0MM NOZZLE

[Dimensions in Inches (mm)]



# HIGH PERFORMANCE LASER CONSUMABLES PRECITEC

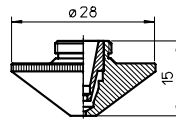
For Adige, Durma, Ermaksan, Finn Power, GHT, LVD, Mazak, Salvagnini, and Yawei Systems



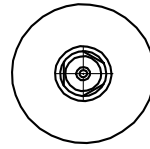
POS	MATE PART NUMBER	OEM CODE	ALTERNATE CODE	PART DESCRIPTION
1	MLN01708		L935X	SINGLE - 0.8MM HD NOZZLE CHROME
	MLN00904	281548 , P0591-571-00010, R26RT006270	L234X	SINGLE - 1.0MM HD NOZZLE CHROME
	MLN00905	281549, P0591-572-00012, R26RT006330	L235X	SINGLE - 1.2MM HD NOZZLE CHROME
	MLN01709		L824X	SINGLE - 1.4MM HD NOZZLE CHROME
	MLN00906	281463, P0591-573-00015, R26RT006340	L236X	SINGLE - 1.5MM HD NOZZLE CHROME
	MLN00907	P0591-574-00018, 055586	L237X	SINGLE - 1.8MM HD NOZZLE CHROME
	MLN00908	281550, P0591-575-00020, R26RT006360, Z50ZZ015420	L238X	SINGLE - 2.0MM HD NOZZLE CHROME
	MLN00909		L239X	SINGLE - 2.3MM HD NOZZLE CHROME
	MLN00910	281551, P0591-576-00025	L240X	SINGLE - 2.5MM HD NOZZLE CHROME
	MLN00970		L936X	SINGLE - 2.75MM HD NOZZLE CHROME
	MLN00911		L241X	SINGLE - 3.0MM HD NOZZLE CHROME
	MLN01710		L826X	SINGLE - 3.2MM HD NOZZLE CHROME
	MLN01712		L828X	SINGLE - 4.0MM HD NOZZLE CHROME
	MLN01713		L829X	SINGLE - 4.5MM HD NOZZLE CHROME
2	MLN01651	6283300180	L1692	SINGLE - 4.0MM NOZZLE
	MLN01652	6283300120	L1696	SINGLE - 5.0MM NOZZLE
3	MLN01653	6283300210	L1693	SINGLE - 4.0MM NOZZLE
	MLN01654	6283300190	L1697	SINGLE - 5.0MM NOZZLE
4	MLN01655	6283300050	L1701	DOUBLE - 1.5MM NOZZLE
	MLN01656	6283300060	L1702	DOUBLE - 2.0MM NOZZLE
	MLN01657	6283300070	L1703	DOUBLE - 2.5MM NOZZLE
	MLN01658	6283300080	L1704	DOUBLE - 3.0MM NOZZLE
	MLN01659	6283300090	L1705	DOUBLE - 3.5MM NOZZLE
	MLN01660	6283300100	L1706	DOUBLE - 4.0MM NOZZLE
	MLN01661	6283300110	L1707	DOUBLE - 4.5MM NOZZLE

[Dimensions in Inches (mm)]





1

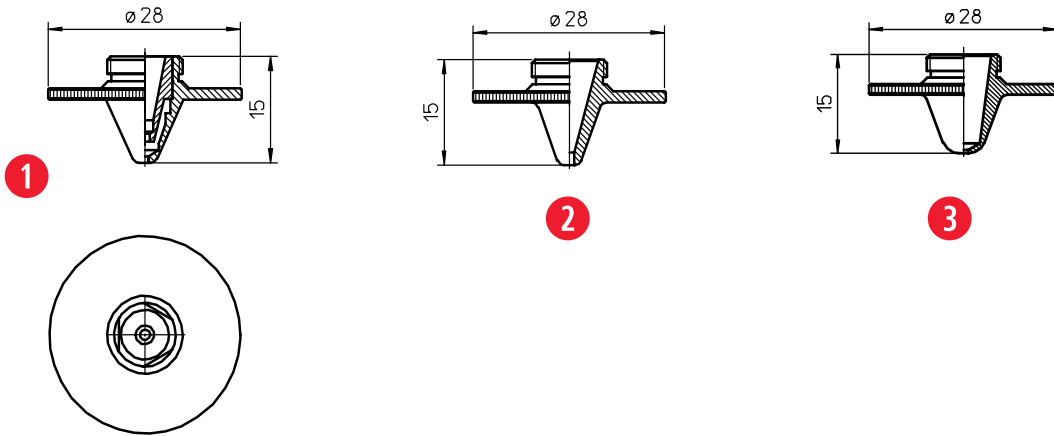


POS	MATE PART NUMBER	OEM CODE	ALTERNATE CODE	PART DESCRIPTION
1	MLN01729		L669X	DOUBLE - 0.8MM NOZZLE CHROME - INNER 1.5MM
	MLN01730		L691X	DOUBLE - 0.9MM NOZZLE CHROME - INNER 1.5MM
	MLN00912		L660X	DOUBLE - 1.0MM NOZZLE CHROME - INNER 1.5MM
	MLN01731		L692X	DOUBLE - 1.1MM NOZZLE CHROME - INNER 1.5MM
	MLN00913	291002455	L661X	DOUBLE - 1.2MM NOZZLE CHROME - INNER 1.5MM
	MLN01732		L672X	DOUBLE - 1.4 - 1.5 MM NOZZLE CHROME - INNER 1.5MM
	MLN00535		L662X	DOUBLE - 1.5MM NOZZLE CHROME - INNER 1.5MM
	MLN00914	291002475	L663X	DOUBLE - 1.8MM NOZZLE CHROME - INNER 1.5MM
	MLN00536		L664X	DOUBLE - 2.0MM NOZZLE CHROME - INNER 1.5MM
	MLN00915		L665X	DOUBLE - 2.3MM NOZZLE CHROME
	MLN00537		L666X	DOUBLE - 2.5MM NOZZLE CHROME - INNER 1.5MM
	MLN00916	291002505	L667X	DOUBLE - 3.0MM NOZZLE CHROME - INNER 1.5MM
	MLN00917		L668X	DOUBLE - 3.5MM NOZZLE CHROME - INNER 1.5MM
	MLN01733		L840X	DOUBLE - 4.0MM NOZZLE CHROME - INNER 1.5MM
	MLN01734		L841X	DOUBLE - 4.5MM NOZZLE CHROME - INNER 1.5MM
	MLN01735		L861X	DOUBLE - 5.0MM NOZZLE CHROME - INNER 1.5MM
	MLN01714		L669	DOUBLE - 0.8MM NOZZLE
	MLN01715		L691	DOUBLE - 0.9MM NOZZLE
	MLN01716	291000246 , P0591-002-000010	L660	DOUBLE - 1.0MM NOZZLE - INNER 1.5MM
	MLN01717		L661-12	DOUBLE - 1.2MM NOZZLE - INNER 1.2MM
	MLN01718	P0591-002-00012, 29100245	L661	DOUBLE - 1.2MM NOZZLE - INNER 1.5MM
	MLN01719		L672	DOUBLE - 1.4MM NOZZLE - INNER 1.5MM
	MLN01240	291000246,P0591-002-00015	L662	DOUBLE - 1.5MM NOZZLE - INNER 1.5MM
	MLN01241	291000247 , P0591-002-00018,591-002-018	L663	DOUBLE - 1.8MM NOZZLE - INNER 1.5MM
	MLN01242	291000248 , P0591-002-00020,591-002-020	L664	DOUBLE - 2.0MM NOZZLE - INNER 1.5MM
	MLN01720		L664-18	DOUBLE - 2.0 - 1.8MM NOZZLE
	MLN01721		L664-20	DOUBLE - 2.0 - 2.0MM NOZZLE
	MLN01722	P0591-002-00023, 29100249	L665	DOUBLE - 2.3MM NOZZLE - INNER 1.5MM
	MLN01226	P0591-002-00025, 29100303	L666	DOUBLE - 2.5MM NOZZLE - INNER 1.5MM
	MLN01723		L666-20	DOUBLE - 2.5 - 2.0MM NOZZLE
	MLN01724		L667-20	DOUBLE - 3.0 - 2.0MM NOZZLE
	MLN01243	291000250, P0591-002-00030	L667	DOUBLE - 3.0MM NOZZLE - INNER 1.5MM
MLN01725	P0591-002-00035	L668	DOUBLE - 3.5MM NOZZLE - INNER 1.5MM	
MLN01726		L840	DOUBLE - 4.0MM NOZZLE - INNER 1.5MM	
MLN01727		L841	DOUBLE - 4.5MM NOZZLE - INNER 1.5MM	
MLN01728		L861	DOUBLE - 5.0MM NOZZLE - INNER 1.5MM	

[Dimensions in Inches (mm)]

# HIGH PERFORMANCE LASER CONSUMABLES PRECITEC

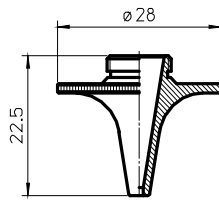
For Adige, Durma, Ermaksan, Finn Power, GHT, and Salvagnini Systems



POS	MATE PART NUMBER	OEM CODE	ALTERNATE CODE	PART DESCRIPTION
1	MLN01736	6930250001	L1348	DOUBLE - 0.8-1.5MM 3D NOZZLE
	MLN01737	6930250002	L1349	DOUBLE - 1.0 -1.5MM 3D NOZZLE
	MLN01178	6930250003	L1350	DOUBLE - 1.2-1.5MM 3D NOZZLE
	MLN01738	6930250004	L1351	DOUBLE - 1.5-1.5MM 3D NOZZLE
	MLN01739		L1470	DOUBLE - 1.8-1.5MM 3D NOZZLE
	MLN02038		L1349X	DOUBLE - 1.0MM 3D NOZZLE CH
	MLN01039		L1350X	DOUBLE - 1.2MM 3D NOZZLE CH
2	MLN01740		L799	SINGLE - 0.8MM HD NOZZLE
	MLN00918		L738	SINGLE - 1.0MM HD NOZZLE
	MLN00919		L739	SINGLE - 1.2MM HD NOZZLE
	MLN00920		L740	SINGLE - 1.5MM HD NOZZLE
3	MLN00921		L792	SINGLE - 0.8MM NOZZLE
	MLN00922		L793	SINGLE - 1.0MM NOZZLE
	MLN00923		L794	SINGLE - 1.2MM NOZZLE
	MLN00924	P0591-1049-00015	L742	SINGLE - 1.5MM NOZZLE
	MLN00925	P0591-1050-00018	L743	SINGLE - 1.8MM NOZZLE
	MLN00926		L744	SINGLE - 2.0MM NOZZLE

[Dimensions in Inches (mm)]

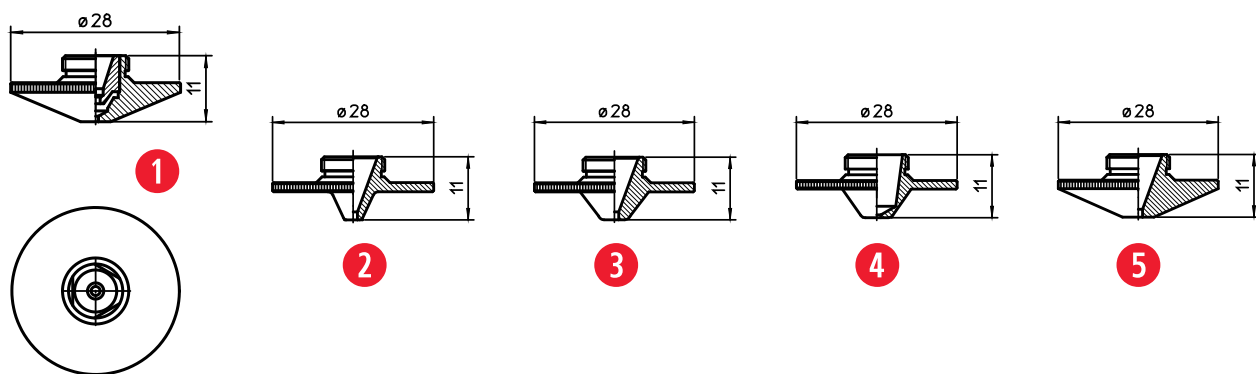




1

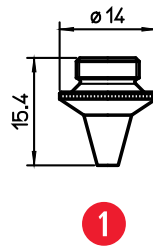
POS	MATE PART NUMBER	OEM CODE	ALTERNATE CODE	PART DESCRIPTION
1	MLN01741	P0578-0411-00010	L1374	SINGLE - 1.0MM NOZZLE RADIUS LONG
	MLN01742	P0578-0412-00012	L1375	SINGLE - 1.2MM NOZZLE RADIUS LONG
	MLN01743	P0578-0413-00015, 6930300039	L1376	SINGLE - 1.5MM NOZZLE RADIUS LONG
	MLN01744	P0578-0414-00018	L1373	SINGLE - 1.8MM NOZZLE RADIUS LONG
	MLN01745	P0578-0415-00020, 6930300040	L1377	SINGLE - 2.0MM NOZZLE RADIUS LONG
	MLN01746	P0578-0417-00025	L1378	SINGLE - 2.5MM NOZZLE RADIUS LONG

[Dimensions in Inches (mm)]



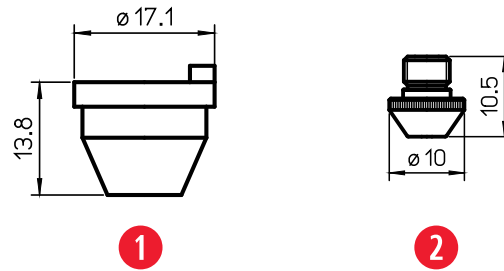
POS	MATE PART NUMBER	OEM CODE	ALTERNATE CODE	PART DESCRIPTION
1	MLN01747		L1179	DOUBLE - 1.0-1.5MM NOZZLE
	MLN01748		L1180	DOUBLE - 1.5-1.5MM NOZZLE
	MLN01749		L1181	DOUBLE - 2.0-1.5MM NOZZLE
	MLN01750		L1182	DOUBLE - 2.5-1.5MM NOZZLE
	MLN01751		L1183	DOUBLE - 3.0-1.5MM NOZZLE
	MLN01752		L1179X	DOUBLE - 1.0-1.5MM NOZZLE CHROME
	MLN01753		L1160X	DOUBLE - 1.2-1.5MM NOZZLE CHROME
	MLN01754		L1161X	DOUBLE - 1.4-1.5MM NOZZLE CHROME
	MLN01755		L1180X	DOUBLE - 1.5-1.5MM NOZZLE CHROME
	MLN01756		L1162X	DOUBLE - 1.8-1.5MM NOZZLE CHROME
	MLN01757		L1181X	DOUBLE - 2.0-1.0MM NOZZLE CHROME
	MLN01758		L1182X	DOUBLE - 2.5-1.5MM NOZZLE CHROME
	MLN01759		L1183X	DOUBLE - 3.0-1.5MM NOZZLE CHROME
MLN01760		L1184X	DOUBLE - 3.5-1.5MM NOZZLE CHROME	
2	MLN01761		L1218	SINGLE - 1.5MM HD NOZZLE
	MLN01762		L1219	SINGLE - 2.0MM HD NOZZLE
	MLN01763		L1220	SINGLE - 2.5MM HD NOZZLE
	MLN01764		L1218X	SINGLE - 1.5MM HD NOZZLE CHROME
	MLN01765		L1219X	SINGLE - 2.0MM HD NOZZLE CHROME
	MLN01766		L1220X	SINGLE - 2.5MM HD NOZZLE CHROME
3	MLN01767		L1060	SINGLE - 1.0 MM HD NOZZLE
	MLN01768		L1061	SINGLE - 1.2 MM HD NOZZLE
	MLN01769		L1062	SINGLE - 1.5 MM HD NOZZLE
	MLN01770		L1063	SINGLE - 2.0 MM HD NOZZLE
	MLN01771		L1064	SINGLE - 2.5 MM HD NOZZLE
	MLN01772		L1065	SINGLE - 3.0 MM HD NOZZLE
	MLN01773		L1086	SINGLE - 3.5 MM HD NOZZLE
	MLN01774		L1087	SINGLE - 4.0 MM HD NOZZLE
	MLN01775		L1088	SINGLE - 4.5 MM HD NOZZLE
	MLN01776		L1089	SINGLE - 5.0 MM HD NOZZLE
4	MLN01777	281340, P0571-281-00010	L410	SINGLE - 1.0MM NOZZLE
	MLN01778	281341, P0571-282-00012	L411	SINGLE - 1.2MM NOZZLE
	MLN01779	281342, P0571-283-00015	L412	SINGLE - 1.5MM NOZZLE
	MLN01780	281342, P0571-284-00018	L413	SINGLE - 1.8MM NOZZLE
	MLN01781	281343, P0571-285-00020	L414	SINGLE - 2.0MM NOZZLE
	MLN01782	281344, P0571-286-00025	L415	SINGLE - 2.5MM NOZZLE
5	MLN01783	281599, P0571-291-00010	L465	SINGLE - 1.0MM NOZZLE
	MLN01784	P0571-292-00012	L466	SINGLE - 1.2MM NOZZLE
	MLN01785	281570, P0571-293-00015	L467	SINGLE - 1.5MM NOZZLE
	MLN01786	P0571-293-00018	L468	SINGLE - 1.8MM NOZZLE
	MLN01787	281571, P0571-295-00020	L469	SINGLE - 2.0MM NOZZLE
	MLN01788	281572, P0571-297-00025	L470	SINGLE - 2.5MM NOZZLE
	MLN01789	P0571-293-00030	L463	SINGLE - 3.0MM NOZZLE

[Dimensions in Inches (mm)]



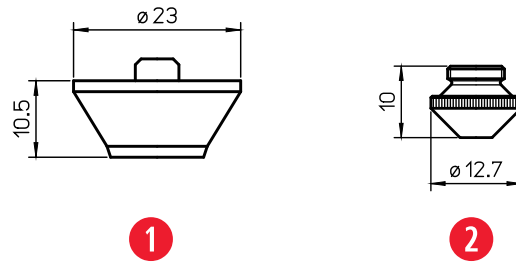
POS	MATE PART NUMBER	OEM CODE	ALTERNATE CODE	PART DESCRIPTION
1	MLN00868	281813, P0589-424-00008	L405	SINGLE - 0.8MM NOZZLE
	MLN00869	281789, P0589-426-00010	L406	SINGLE - 1.0MM NOZZLE
	MLN00569	281561, 778550	L404	SINGLE - 1.2MM NOZZLE
	MLN00870	281814, 149957	L407	SINGLE - 1.5MM NOZZLE
	MLN00871	P0589-428-00020	L408	SINGLE - 2.0MM NOZZLE
	MLN00872	281813, P0589-424-00008	L405X	SINGLE - 0.8MM NOZZLE CHROME
	MLN00873	281789, P0589-426-00010	L406X	SINGLE - 1.0MM NOZZLE CHROME
	MLN00874	281561, 778550 , P0589-425-00012	L404X	SINGLE - 1.2MM NOZZLE CHROME
	MLN00875	281814, 149957	L407X	SINGLE - 1.5MM NOZZLE CHROME
	MLN00876	P0589-428-00020	L408X	SINGLE - 2.0MM NOZZLE CHROME

[Dimensions in Inches (mm)]



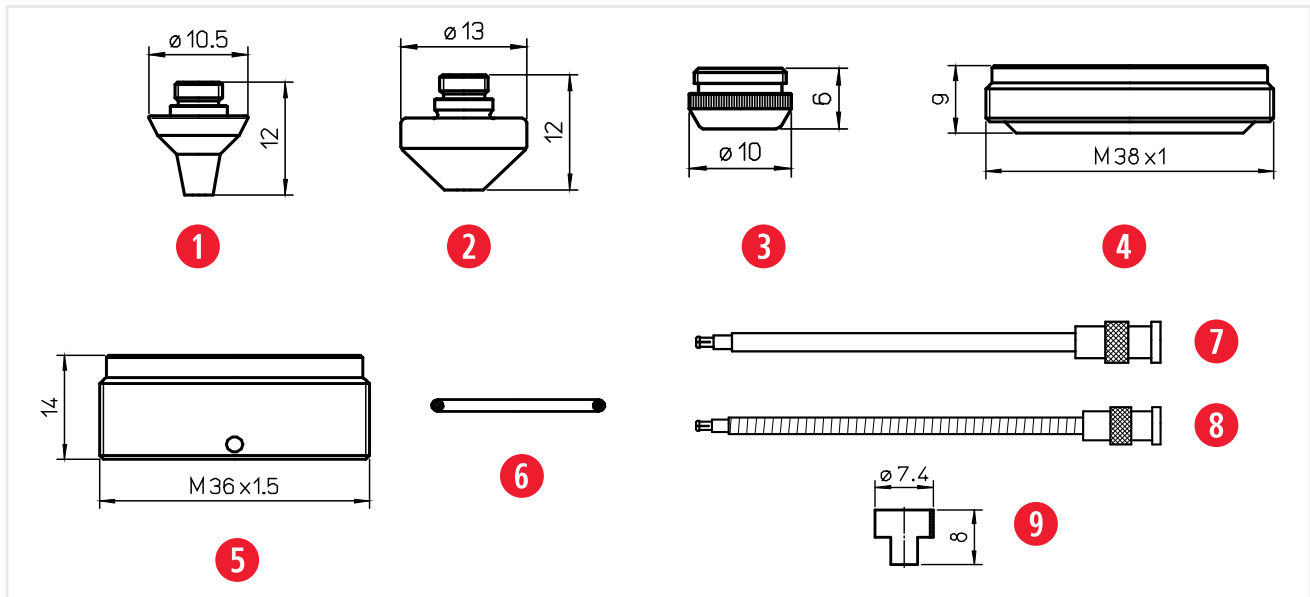
POS	MATE PART NUMBER	OEM CODE	ALTERNATE CODE	PART DESCRIPTION
1	MLN00357	280408, 092045	AL53	ORIGINAL NOZZLE HOLDER KT M1.5" KN
2	MLN01790		L445	SINGLE - 0.8MM NOZZLE
	MLN01791		L30445	SINGLE - 0.8MM NOZZLE (10 PK)
	MLN01792	280551, P0494-853-00010	L292	SINGLE - 1.0MM NOZZLE
	MLN01793	280551, P0494-853-00010	L30292	SINGLE - 1.0MM NOZZLE (10 PK)
	MLN01794	280552, P0494-854-00012	L293	SINGLE - 1.2MM NOZZLE
	MLN01795	280552, P0494-854-00012	L30293	SINGLE - 1.2MM NOZZLE (10 PK)
	MLN01796	280553, P0494-855-00015	L294	SINGLE - 1.5MM NOZZLE
	MLN01797	280553, P0494-855-00015	L30294	SINGLE - 1.5MM NOZZLE (10 PK)
	MLN01798	280554, P0494-856-00017	L295	SINGLE - 1.7MM NOZZLE
	MLN01799	280553, P0494-856-00017	L30295	SINGLE - 1.7MM NOZZLE (10 PK)
	MLN01800	280555, P0494-855-00020	L296	SINGLE - 2.0MM NOZZLE
	MLN01801	280555, P0494-855-00020	L30296	SINGLE - 2.0MM NOZZLE (10 PK)
	MLN01802		L372	SINGLE - 2.3MM NOZZLE
	MLN01803		L30372	SINGLE - 2.3MM NOZZLE (10 PK)
	MLN01804		L371	SINGLE - 2.5MM NOZZLE
	MLN01805		L30371	SINGLE - 2.5MM NOZZLE (10 PK)
	MLN01806		L304	SINGLE - 3.0MM NOZZLE
	MLN01807		L30304	SINGLE - 3.0MM NOZZLE (10 PK)
	MLN01808		L303	SINGLE - 4.0MM NOZZLE
MLN01809		L30303	SINGLE - 4.0MM NOZZLE (10 PK)	

[Dimensions in Inches (mm)]



POS	MATE PART NUMBER	OEM CODE	ALTERNATE CODE	PART DESCRIPTION
1	MLN00421	280012, 281079, P0492-430-00003, W149	AL138	ORIGINAL HOLDER KT M 1.5"S f2.5"
2	MLN00422	280013, P0492-441-00008, W222	L400	FP SINGLE - 0.8 MM NOZZLE
	MLN00423	280014, P0492-442-00010, W223	L401	FP SINGLE - 1.0 MM NOZZLE
	MLN00424	280015, P0492-443-00012	L402	FP SINGLE - 1.2 MM NOZZLE
	MLN00425	280016, P0492-444-00015, W224	L403	FP SINGLE - 1.5 MM NOZZLE
	MLN00426	P0492-447-00018	L543	FP SINGLE - 1.8 MM NOZZLE
	MLN00427	280937, P0492-445-00020, W225	L544	FP SINGLE - 2.0 MM NOZZLE
	MLN00428	P0492-448-00023	L546	FP SINGLE - 2.3 MM NOZZLE
	MLN00429	281791, P0492-446-00025, W226	L545	FP SINGLE - 2.5 MM NOZZLE
	MLN00834	280927, MB336-0005	L547	FP SINGLE - 3.0 MM NOZZLE

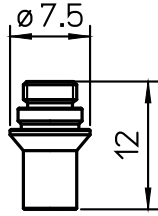
[Dimensions in Inches (mm)]



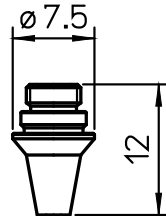
POS	MATE PART NUMBER	OEM CODE	ALTERNATE CODE	PART DESCRIPTION
1	MLN00785	46713300290-10, P0352-383-00010	L554	SINGLE - 1.0 MM 3D NOZZLE
	MLN00786	46713300290-12, P0352-384-00012	L555	SINGLE - 1.2 MM 3D NOZZLE
	MLN00483	46713300290-15, P0352-381-00015	L556	SINGLE - 1.5 MM 3D NOZZLE
	MLN00787		L557	SINGLE - 1.8 MM 3D NOZZLE
	MLN00484	46713300310, P0352-382-00020	L558	SINGLE - 2.0 MM 3D NOZZLE
	MLN00788	46713300280-25, P0352-385-00025	L560	SINGLE - 2.5 MM 3D NOZZLE
	MLN00597	46713300280-30, 46713300430, P0352-388-00030	L563	SINGLE - 3.0 MM 3D NOZZLE
	MLN00789	46713300280-35	L564	SINGLE - 3.5 MM 3D NOZZLE
2	MLN00790		L576	SINGLE - 1.0MM 2D NOZZLE
	MLN00791	46713300310	L577	SINGLE - 1.2MM 2D NOZZLE
	MLN00485	P0352-386-00015	L578	SINGLE - 1.5MM 2D NOZZLE
	MLN00792		L579	SINGLE - 1.8MM 2D NOZZLE
	MLN00486	46713300300, P0352-387-00020	L580	SINGLE - 2.0MM 2D NOZZLE
	MLN00793	46713300300-25	L581	SINGLE - 2.5MM 2D NOZZLE
	MLN00598	46713300300-30	L582	SINGLE - 3.0MM 2D NOZZLE
3	MLN00528	46713300321, P0352-311-00001	AL160	VESPEL NUT - SPACE GEAR
4	MLN00555	P0492-702-00001, 29100021	AL198	INSULATING RING PLASTIC
5	MLN00794	46713330200	AL218	5 AXIS INSULATOR
6	MLN00034	71366453	AL94	O'RING FOR NOZZLE OUTER
7	MLN00556	P0360-100-00500 , 46713300100	AL204	SENSOR CABLE 500 Z KE
8	MLN00987	281386, P0360-155-00500	AL257	ELECTRODE CABLE
9	MLN00986	PT348-0009	AL256	INSULATOR COLLAR

[Dimensions in Inches (mm)]

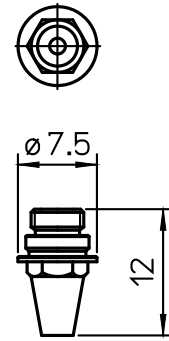




1



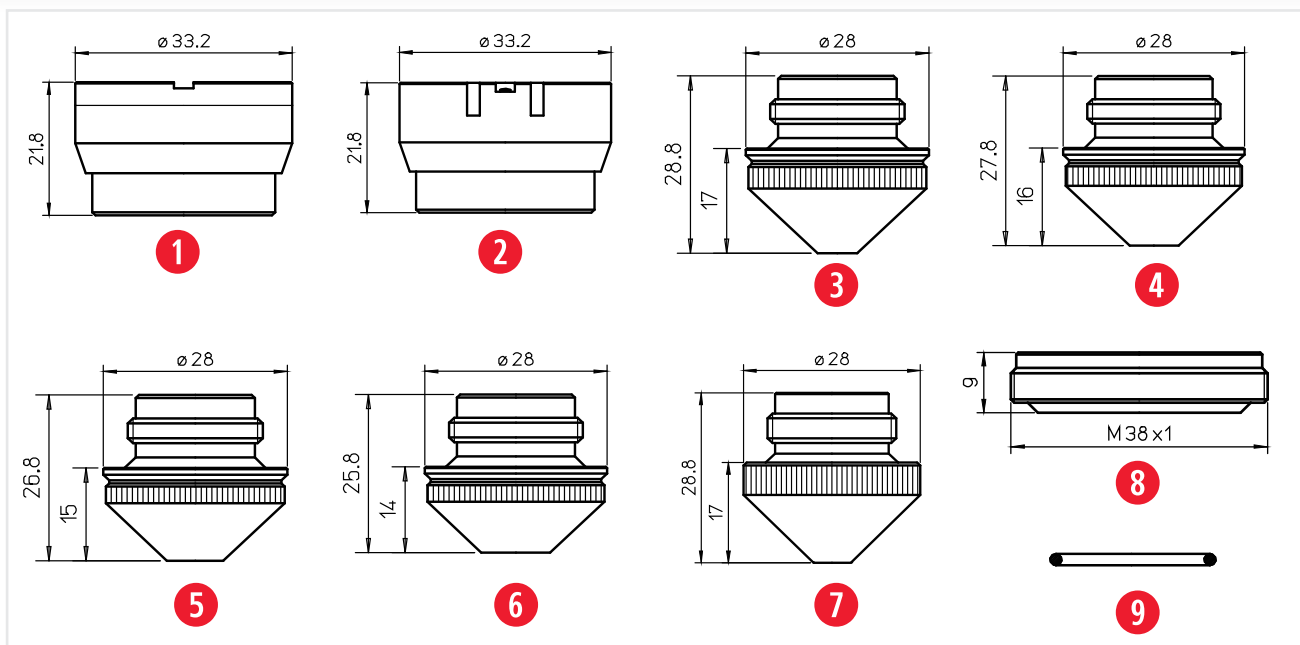
2



3

POS	MATE PART NUMBER	OEM CODE	ALTERNATE CODE	PART DESCRIPTION
1	MLN00781	281005, P0352-323-00010	L480	SINGLE - 1.0MM ZK NOZZLE
	MLN00782	281034, P0352-324-00012	L481	SINGLE - 1.2MM ZK NOZZLE
	MLN00446	281013, P0352-325-00015	L482	SINGLE - 1.5MM ZK NOZZLE
	MLN00448	280899, P0352-326-00018	L483	SINGLE - 1.8MM ZK NOZZLE
	MLN00447	350044.3, P0352-327-00020	L484	SINGLE - 2.0MM ZK NOZZLE
	MLN00988	P0352-328-00025	L485	SINGLE - 2.5MM ZK NOZZLE
2	MLN00783	281006, P0352-333-00010	L486	SINGLE - 1.0MM KK NOZZLE
	MLN00784	281030, P0352-334-00012	L487	SINGLE - 1.2MM KK NOZZLE
	MLN00449	281031, P0352-335-00015	L488	SINGLE - 1.5MM KK NOZZLE
	MLN00450	280898, P0352-336-00018	L489	SINGLE - 1.8MM KK NOZZLE
	MLN00451	P0352-336-00020	L490	SINGLE - 2.0MM KK NOZZLE
3	MLN01810	P0491-1001-00010	L1760	SINGLE - DE M1.5 KS 1.0MM HEX NOZZLE
	MLN01811	P0491-1001-00012	L1762	SINGLE - DE M1.5 KS 1.2MM HEX NOZZLE
	MLN01812	P0491-1001-00015	L1762	SINGLE - DE M1.5 KS 1.5MM HEX NOZZLE
	MLN01813	P0491-1002-00020	L1764	SINGLE - DE M1.5 KS 2.0MM HEX NOZZLE

[Dimensions in Inches (mm)]



POS	MATE PART NUMBER	OEM CODE	ALTERNATE CODE	PART DESCRIPTION
1	MLN00287	280565, P0497-605-00001, 29100106	AL40	ORIGINAL NOZZLE HOLDER KT M 1.5" DXN - CERAMIC
	MLN01565	P0497-68871	AL298	ORIGINAL NOZZLE HOLDER KT M 1.5" DXN - CERAMIC
2	MLN00275	281146, P0380-211-00001, 29100033	AL130	ORIGINAL NOZZLE HOLDER IT M 1.5" DZ - ALUMINUM
	MLN01227	281146, P0380-211-00001, 29100033	AL130/S	NOZZLE HOLDER IT M 1.5" DZ - ALUMINUM
3	MLN01814	280029, P0492-628-00010, 3164010046	L365	SINGLE - 1.0MM NOZZLE
	MLN01815	280030, P0492-629-00012, 3164010045	L366	SINGLE - 1.2MM NOZZLE
4	MLN01816	280028, P0492-627-00015, 146329A4, 142321	L367	SINGLE - 1.5MM NOZZLE
5	MLN01817	281384, P0492-630-00017, 3164010043	L368	SINGLE - 1.7MM NOZZLE
	MLN01818	280027, P0492-626-00020, 3164010042	L369	SINGLE - 2.0MM NOZZLE
6	MLN01819	280026, P0492-625-00025, 3164010040	L370	SINGLE - 2.5MM NOZZLE
7	MLN00432	281253, P0380-251-00010	L163	SINGLE - 1.0MM NOZZLE
	MLN00433	281254, P0380-252-00012	L164	SINGLE - 1.2MM NOZZLE
	MLN00434	281255, P0380-253-00015	L165	SINGLE - 1.5MM NOZZLE
	MLN00435	281270, P0380-254-00020	L166	SINGLE - 2.0MM NOZZLE
	MLN00436	281271, P0380-255-00025	L167	SINGLE - 2.5MM NOZZLE
	MLN02006	281271-2.7	L462	SINGLE - 2.7MM NOZZLE
	MLN00437	281271-3.0	L201	SINGLE - 3.0MM NOZZLE
8	MLN00555	29100021, P0492-702-00002	AL201	INSULATING RING - PLASTIC 38X9
9	MLN00034	71366453	AL94	O'RING FOR NOZZLE OUTER

[Dimensions in Inches (mm)]

PERFORMAX - STANDARD ABSORPTION LENSES					
MATE PART NUMBER	OEM CODE	TYPE	DIAMETER	FOCAL LENGTH	EDGE THICKNESS
MLL00006	406294, 055491	MENISCUS	1.5" (38.1mm)	5.0" (127mm)	.290" (7.4mm)
MLL00007	055492, 5263973, 702232	MENISCUS	1.5" (38.1mm)	7.5" (190.5mm)	.290" (7.4mm)
MLL00027	206326, Z50MB00516A	PLANO CONVEX	2.0" (50.8mm)	5.0" (127mm)	.380" (9.6mm)
MLL00018	Z50MB00520A, 232771	PLANO CONVEX	2.0" (50.8mm)	7.5" (190.5mm)	.380" (9.6mm)

PEAK - LOW ABSORPTION LENSES					
MATE PART NUMBER	OEM CODE	TYPE	DIAMETER	FOCAL LENGTH	EDGE THICKNESS
MLP00006	406294, 055491	MENISCUS	1.5" (38.1mm)	5.0" (127mm)	.290" (7.4mm)
MLP00007	055492, 5263973, 702232	MENISCUS	1.5" (38.1mm)	7.5" (190mm)	.290" (7.4mm)
MLP00027	206326, Z50MB00516A	PLANO CONVEX	2.0" (50.8mm)	5.0" (127mm)	.380" (9.6mm)
MLP00018	Z50MB00520A, 232771	PLANO CONVEX	2.0" (50.8mm)	7.5" (190.5mm)	.380" (9.6mm)

BLACK MAGIC- LOW ABSORPTION LENSES					
MATE PART NUMBER	OEM CODE	TYPE	DIAMETER	FOCAL LENGTH	EDGE THICKNESS
MLB00006	406294, 055491	MENISCUS	1.5" (38.1mm)	5.0" (127mm)	.290" (7.4mm)
MLB00007	055492, 5263973, 702232	MENISCUS	1.5" (38.1mm)	7.5" (190mm)	.290" (7.4mm)
MLB00027	206326	PLANO CONVEX	2.0" (50.8mm)	5.0" (127mm)	.380" (9.6mm)
MLB00018	Z50MB00520A, 232771	PLANO CONVEX	2.0" (50.8mm)	7.5" (190.5mm)	.380" (9.6mm)

FIBERMAX - FIBER LASER LENSES					
MATE PART NUMBER	OEM CODE	TYPE	DIAMETER	FOCAL LENGTH	EDGE THICKNESS
MLF00004	P0591-1202-00001	FUSED SILICA	30.0mm	200mm	3.7mm
MLF00006	CY-LF002, P0591-2050-00001	FUSED SILICA	38.1mm	190.5mm	7.0mm
MLF00007	P0591-1262-00001	FUSED SILICA	30.0mm	125.0mm	5.8mm
MLF00008	P0591-1262-0001, OL HP SSL F125	FUSED SILICA	30.0mm	125.0mm	3.1mm
MLF00009	P0591-1186-00001 ZO HP SSL COL F100 30 GM 14965	FUSED SILICA	30.0mm	100.0mm	5.5mm
MLF00010	P0591-1186-00001 ZO HP SSL COL F100 30 GM 14966	FUSED SILICA	30.0mm	100.0mm	2.9mm
MLF00011	CY-LF001, P0591-1650-00001	FUSED SILICA	38.1mm	127.0mm	7.0mm
MLF00005	970128, 3163040007	FUSED SILICA	25.4mm	8.0mm	6.0mm
MLF00018	3163010033	FUSED SILICA	38.1mm	210.0mm	6.5mm

FIBERSHIELD - FIBER LASER PROTECTIVE WINDOWS					
MATE PART NUMBER	OEM CODE	TYPE	DIAMETER	EDGE THICKNESS	
MLW00003	P0251-1070-00001	FUSED SILICA	50.0mm	2.0mm	
MLW00004	P0589-360-00001, W2-PW1-22.5-4.0, R26RT006410, 6930003260, 61474, 29100264, 5102231, 970397	FUSED SILICA	22.35mm	4.0mm	
MLW00016	766719, P0795-1201-0001	FUSED SILICA	30.0mm	5.0mm	
MLW00017		FUSED SILICA	21.5mm	2.0mm	
MLW00018	Z50SA015350, W495, Z50MB00520A, 232771	FUSED SILICA	42.0mm	9.0mm	
MLW00024	PT317-1551, P0595-61551, 58601	FUSED SILICA	37.0mm	7.0mm	
MLW00008	31630400-07, 21-21057, 31630400-10	FUSED SILICA	32.0mm	6.5mm	
MLW00009	CY-SCR-01	FUSED SILICA	38.1mm	5.0mm	
MLW00019	P0253-1034-00001	FUSED SILICA	30.0mm	1.5mm	
MLW00014	29100397	FUSED SILICA	36.0mm	5.0mm	

OPTICS CARE	
MATE PART NUMBER	DESCRIPTION
MLN00570	1.5" Polarizer Filter
MLN01105	Cleaning Holder w/ 1.5" Polarizer Filter
MLN01106	Cleaning Holder w/ 2.0" Polarizer Filter
MLN01104	Wet Cleaning Wipes - 24 Pack
MLN01996	Optical Cleaning Fluid - Spray
MLN01997	Lens Cleaning Paper - 50 Sheets
MLN01998	4x4 Polyester Wipes - 100 Pack
MLN02000	Lens Cleaning Swabs - 25 Pack
MLN01483	Lens / Mirror Cleaning Base
MLN01483	Lens / Mirror Cleaning Base
MLN00582	Lensmate Cleaning Paper - Booklet 4x6 Sheets

[Dimensions in Inches (mm)]



# SHOP 24/7 AT [shop.mate.com](http://shop.mate.com)

**MATE LASER TECHNOLOGIES**

Shopping Cart | Items: 00

Search by Part # or Keyword

LENSES CO<sub>2</sub> MIRRORS NOZZLES OEM ACCESSORIES

**MENU**  
Home  
About Us  
Contact Us  
My Account

**SEARCH BY OEM**  
SELECT OEM

Home > Nozzles

**Nozzles**

Product Categories

Filter by Laser Type | Filter by OEM | Filter by Diameter (Inches/mm) | Filter by Material | Filter by Description

Products (Total Items: 754)

More results: [1] [2] [3] [4] [5] [6] Next Page View All

<p>MLN00101 0.0712 (00) Mazak Style Wide Single Nozzle in Copper</p> <p>ADD TO CART</p>	<p>MLN00107 0.0712 (00) Prime Power Style Precision Nozzle in Copper</p> <p>ADD TO CART</p>	<p>MLN00108 0.0711 (00) Prime Power Style Precision Nozzle in Copper</p> <p>ADD TO CART</p>
<p>MLN00402 0.0010 (00) Prime Power Style Precision Nozzle in Copper</p> <p>ADD TO CART</p>	<p>MLN00066 0.1074 (00) Mazak Style Wide Single Nozzle in Copper</p> <p>ADD TO CART</p>	<p>MLN00099 0.1367 (00) Mazak Style Wide Single Nozzle in Copper</p> <p>ADD TO CART</p>
<p>MLN00160 0.1163 (00) Mazak Style Wide Single Nozzle in Copper</p> <p>ADD TO CART</p>	<p>MLN01033 0.1103 (00) Mazak Style Hex in Chrome</p> <p>ADD TO CART</p>	<p>MLN00191 0.0072 (00) Mazak Style Wide Single Nozzle in Copper</p> <p>ADD TO CART</p>

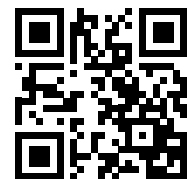
More results: [1] [2] [3] [4] [5] [6] Next Page View All

Copyright 2017 Mate Precision Tooling/Wide Laser Technologies. All Rights Reserved.

## Wide Selection for all OEMs

- CO<sub>2</sub> Lenses
- Fiber Lenses
- Consumables

*Purchase orders and all major credit cards accepted.*



shop.mate.com

[Dimensions in Inches (mm)]



*[Dimensions in Inches (mm)]*





## **MATE PRECISION TECHNOLOGIES** GLOBAL COVERAGE

### **WORLDWIDE HEADQUARTERS:**

1295 Lund Boulevard, Anoka, Minnesota 55303 USA  
Tel +1.763.421.0230 [mate.com](http://mate.com)

[orders@mate.com](mailto:orders@mate.com)